

Dell™ PowerEdge™  
R300 Systems

# Getting Started With Your System

Začínáme se systémem

Guide de mise en route

Erste Schritte mit dem System

Τα πρώτα βήματα με το σύστημά σας

Rozpoczęcie pracy z systemem

Начало работы с системой

Procedimientos iniciales con el sistema

תחילת העבודה עם המערכת





Dell™ PowerEdge™  
R300 Systems

# Getting Started With Your System



# Notes, Notices, and Cautions



**NOTE:** A NOTE indicates important information that helps you make better use of your computer.



**NOTICE:** A NOTICE indicates either potential damage to hardware or loss of data and tells you how to avoid the problem.



**CAUTION:** A CAUTION indicates a potential for property damage, personal injury, or death.

---

**Information in this document is subject to change without notice.**

© 2007 Dell Inc. All rights reserved.

Reproduction in any manner whatsoever without the written permission of Dell Inc. is strictly forbidden.

Trademarks used in this text: *Dell*, the *DELL* logo, and *PowerEdge* are trademarks of Dell Inc.; *Intel*, *Pentium*, *Celeron* and *Xeon* are registered trademarks and *Core* is a trademark of Intel Corporation in the U.S. and other countries; *Microsoft*, *Windows*, and *Windows Server* are either trademarks or registered trademarks of Microsoft Corporation in the United States and/or other countries; *Red Hat* and *Enterprise Linux* are registered trademarks of Red Hat Inc.; SUSE is a registered trademark of Novell Inc..

Other trademarks and trade names may be used in this document to refer to either the entities claiming the marks and names or their products. Dell Inc. disclaims any proprietary interest in trademarks and trade names other than its own.

Model SMT

December 2007

P/N HR210

Rev. A00

# System Features

The major hardware and software features of your system include:

- 1U/1S rack-mountable chassis with support for static rails and sliding rails.
  - ▣ **NOTE:** Use the System Setup program to view processor information. See "Using the System Setup Program" in your *Hardware Owner's Manual*.
- One of the following processors:
  - Single Core Intel® Celeron® 445 Processor
  - Dual-Core Intel Core™ 2 Duo E6305 or E6405 Processor
  - Quad-Core Intel Xeon® X3323, X3353, or X3363 Processor
- A minimum of 512-MB single or dual-ranked registered 667-MHz DDR2 memory modules with ECC, upgradeable to a maximum of 24-GB by installing combinations of 512-MB, 1-GB, 2-GB, or 4-GB memory modules in six memory module sockets on the system board.
- One of the following riser card options:
  - Two riser cards (left and center risers), each providing a x8 lane width PCI-Express expansion slot.
  - OR
  - One riser card (center riser), providing a x8 lane width PCI-Express expansion slot.
  - One riser card (left riser) providing a 3.3 V, 64-bit 133MHz PCI-X expansion slot.
- One 12.7 mm DVD, or combination CD-RW/DVD in a device drive bay.
- Support for the following internal hard-drive configurations:
  - Up to two 3.5-inch, internal, SATA hard drives with the optional SAS controller card (hot-plug option available).
  - Up to two 3.5-inch, internal, Serial-Attached SCSI (SAS) hard drives with an optional SAS controller card (hot-plug option available).

- Optional remote access controller for remote systems management, which is installed on the dedicated slot on the system board.
- Optional USB flash drive emulates a diskette drive or hard drive.
- One 400-W power supply (optional redundant power supply available).
- Two integrated Gigabit Ethernet network adapters, capable of supporting 10-Mbps, 100-Mbps, and 1000-Mbps data rates with support for Wake-on-LAN.
- A Dell Remote Access Controller Card (DRAC5), which provides remote system management, crashed system recovery, and power control functions for Dell PowerEdge.
- An integrated VGA-compatible video subsystem with an ATI ES1000, 33-MHz PCI video controller. This video subsystem contains a minimum of 32MB of graphics memory with support for 2D graphics. Maximum resolution is 1600 x 1200 with 65,536 colors; true-color graphics are supported in the following resolutions: 640 x 480, 800 x 600, 1024 x 768, 1280 x 1024. When the optional remote access card is installed, the maximum video resolution is 1280 x 1024.
- Fan modules, each of which is comprised of two dual-rotor fans positioned in front of the processor and memory.
- Fan modules, comprised of two dual-rotor fans positioned in front of the PSU. These fans are used for the two redundant PSUs (hot-plug hard drives and redundant PSU configuration).
- Serial connector for console redirection support.
- Security features, including chassis-intrusion detection and keylock on the optional bezel.
- An integrated Trusted Platform Module (TPM) version 1.2 used for security applications, capable of generating and storing keys, and storing passwords and digital certifications. (Not available in China.)

- Systems management software/circuitry that monitors critical system voltages and temperatures.
- Back-panel connectors include video, serial, two USB, and two network adapter connectors.
- Front-panel connectors include one VGA and two USB connectors.
- One internal USB connector is included for a bootable memory key.
- Front-panel 1x5 LCD for system ID and error messaging.

For more information about specific features, see “Technical Specifications” on page 11.

The following software is included with your system:

- A System Setup program for viewing and changing system configuration information. For more information, see “Using the System Setup Program” in the *Hardware Owner’s Manual*.
- Enhanced security features, including a system and setup passwords are available through the System Setup program.
- Video drivers for displaying programs in high-resolution modes.

Systems management software and documentation CDs.

## Supported Operating Systems

- Microsoft® Windows Server® 2008 Web, Standard, and Enterprise (32-bit x86) Editions (*when available*)
- Microsoft Windows Server 2008 Web, Standard, Small Business Server (Premium and Standard), and Enterprise (x64) Editions (*when available*)
- Microsoft Windows Server 2003 Web, Standard, Small Business Server (Premium and Standard), and Enterprise (32-bit x86) Editions (SP1 and SP2)
- Microsoft Windows Server 2003 Standard and Enterprise (x64) Editions
- Microsoft Windows Server 2003 R2 Standard, Small Business Server (Premium and Standard), and Enterprise (32-bit x86) Editions

- Microsoft Windows Server 2003 R2 Standard and Enterprise (x64) Editions
- Red Hat® Enterprise Linux® ES (versions 4 and 5) (x86\_32)
- Red Hat Enterprise Linux ES (versions 4 and 5) (x86\_64)
- SUSE® Linux Enterprise Server 9 (SP4 or later) (x86\_64)
- SUSE Linux Enterprise Server 10 (x86\_64)



**NOTE:** For the latest information on supported operating systems, see [www.dell.com](http://www.dell.com).

## Other Information You May Need



**CAUTION:** The *Product Information Guide* provides important safety and regulatory information. Warranty information may be included within this document or as a separate document.

- The *Rack Installation Guide* or *Rack Installation Instructions* included with your rack solution describes how to install your system into a rack.
- The *Getting Started Guide* provides an overview of system features, setting up your system, and technical specifications.
- The *Hardware Owner's Manual* provides information about system features and describes how to troubleshoot the system and install or replace system components.
- CDs included with your system provide documentation and tools for configuring and managing your system.
- Systems management software documentation describes the features, requirements, installation, and basic operation of the software.
- Operating system documentation describes how to install (if necessary), configure, and use the operating system software.
- Documentation for any components you purchased separately provides information to configure and install these options.



- Updates are sometimes included with the system to describe changes to the system, software, and/or documentation.
  - ✍ **NOTE:** Always check for updates on [support.dell.com](https://support.dell.com) and read the updates first because they often supersede information in other documents.
- Release notes or readme files may be included to provide last-minute updates to the system or documentation or advanced technical reference material intended for experienced users or technicians.


## Obtaining Technical Assistance

If you do not understand a procedure in this guide or if the system does not perform as expected, see your *Hardware Owner's Manual*.

Dell Enterprise Training and Certification is available; see [www.dell.com/training](https://www.dell.com/training) for more information. This service may not be offered in all locations.

## Installation and Configuration

 **CAUTION:** Before performing the following procedure, read and follow the safety instructions and important regulatory information in your *Product Information Guide*.

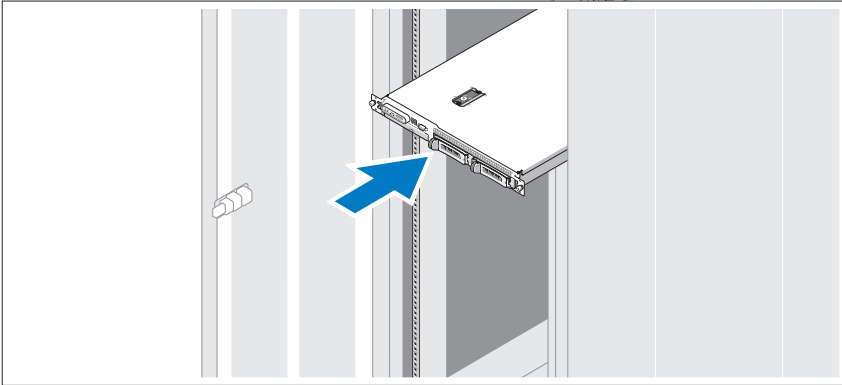
 **CAUTION:** Whenever you need to lift the system, get others to assist you. To avoid injury, do not attempt to lift the system by yourself.

This section describes the steps to set up your system for the first time.

### Unpacking the System

Unpack your system and identify each item. Keep all shipping materials in case you need them later.

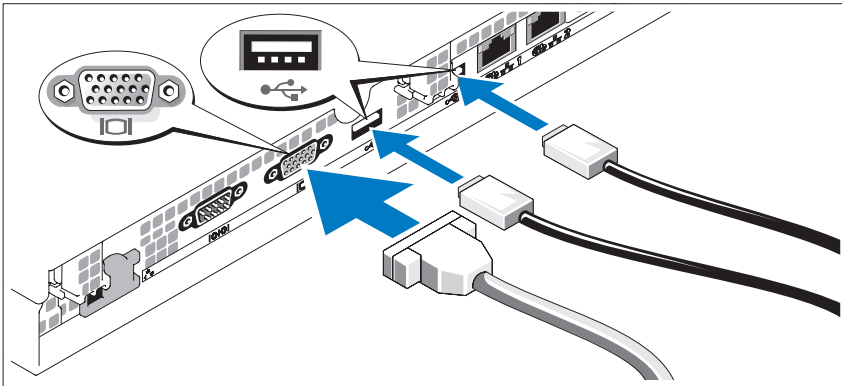
## Installing the Rail and System in a Rack



Install the system in the rack once you have read the “Safety Instructions” located in the rack installation documentation for your system.

See your rack installation documentation for instructions on installing your system in a rack. For power and cooling guidelines, see the rack capacity planner tool on [www.dell.com](http://www.dell.com).

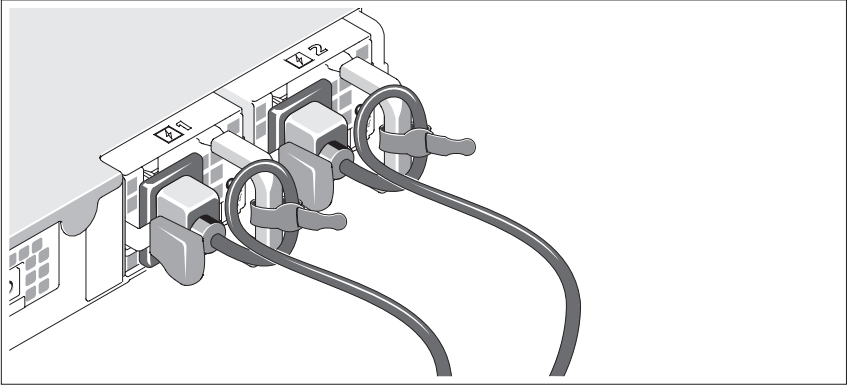
## Connecting the Keyboard, Mouse, and Monitor



Connect the keyboard, mouse, and monitor (optional).

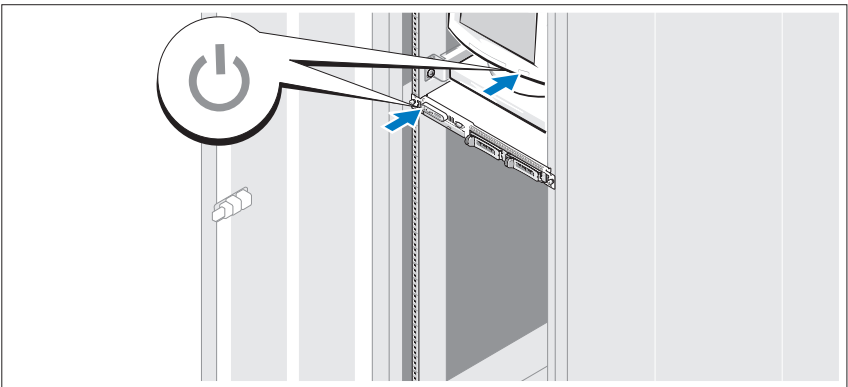
The connectors on the back of your system have icons indicating which cable to plug into each connector. Be sure to tighten the screws (if any) on the monitor's cable connector.

## Connecting the Power



Connect the system's power cable(s) to the system (a redundant system is shown in the illustration). For redundant systems, secure the cables with the two Velcro straps that ship with your system, as shown. For non-redundant systems, attach the power cord retention bracket that ships with your system. Plug the other end of the cable into a grounded electrical outlet or a separate power source such as an uninterruptible power supply (UPS) or a power distribution unit (PDU).

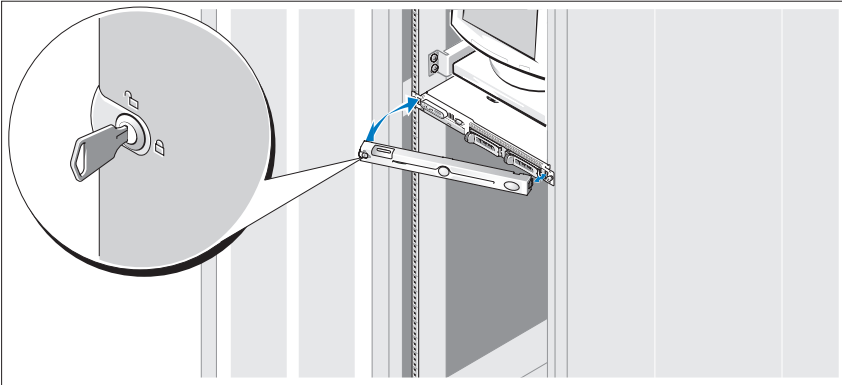
## Turning on the System



Turn on the system and monitor (optional).

Press the power button on the system and the monitor. The power indicators should light. Adjust the monitor's controls until the displayed image is satisfactory.

### **Installing the Bezel**



Install the bezel (optional).

## **Complete the Operating System Setup**

If you purchased a preinstalled operating system, see the operating system documentation that ships with your system. To install an operating system for the first time, see the *Quick Installation Guide*. Be sure the operating system is installed before installing hardware or software not purchased with the system.

# Technical Specifications

---

## Processor

---

Processor type	Single Core Intel® Celeron® 445 processor or Dual-Core Intel Core™ 2 Duo E6305 or E6405 sequence processor or Quad-Core Intel Xeon® X3323, X3353, or X3363 serial processor
----------------	---

---

## Expansion Buses

---

Bus type	PCI-X, PCIe
<b>Expansion slots – Two optional riser cards</b>	
Riser 1	
PCIe Center Riser	One full-height, half-length, x8 lane PCIe slot
PCIe Left Riser	One full-height, half-length, x8 lane PCIe slot
Riser 2	
PCI-X Left Riser	One full-height, half-length, 64-bit, 133MHz PCI-X slot
PCIe Center Riser	One full-height, half-length, x8 lane PCIe slot

---

## Memory

---

Architecture	Up to six registered DDR2 677 MHz RDRAM memory modules with ECC
Memory module sockets	Six 240-pin
Memory module capacities	512 MB, 1 GB, 2 GB, 4GB
Minimum RAM	512 MB (one 512-MB module)
Maximum RAM	24 GB

---

**Drives**

---

**Hard Drives**

SATA	Up to two 3.5-inch, internal (optional for hot-plug)
SAS	Up to two 3.5-inch, internal with optional SAS controller card (optional for hot-plug)
CD/DVD drive	One optional DVD, or combination CD-RW/DVD in a device drive bay <b>NOTE:</b> DVD devices are data only.
USB flash drive	One optional drive that emulates a diskette drive or hard drive

---

**Connectors**

---

**Externally accessible****Back**

Network adapter	Two RJ-45 (for integrated 1-Gigabit network adapters)
Serial	9 pin
USB	Two 4-pin, USB 2.0 compliant
Video	15-pin VGA

**Front**

Video	15-pin VGA
USB	Two 4-pin, USB 2.0 compliant

**Internally accessible**

SATA channels	Three 7-pin
USB key (for memory key)	one 4-pin, USB 2.0-compliant

---

**Video**

---

Video type	Integrated ATI ES1000 VGA controller
Video memory	32 MB (Min)-64 MB (Max) DDR II

---

**Power**

---

**AC power supply**

Wattage	400 W redundant PSU for hot-plug hard drives plus redundant PSU configuration (maximum configuration)
Voltage	100–240 VAC, 50/60 Hz
Maximum inrush current	Under typical line conditions and over the entire system ambient operating range, the inrush current may reach 25 A for 10 ms or less
System battery	CR 2032 3.0-V lithium coin cell

---

**Physical**

---

Height	4.2 cm (1.67 in)
Width	42.6 cm (16.78 in)
<b>Depth</b>	
With optional bezel	69.3 cm (27.29 in)
Without optional bezel	66 cm (26 in)
Weight (maximum configuration Kg)	13.45 kg (29.6 lb)

---

## Environmental

---

**NOTE:** For additional information about environmental measurements for specific system configurations, see [www.dell.com/environmental\\_datasheets](http://www.dell.com/environmental_datasheets).

### Temperature

Operating	10° to 35°C (50° to 95°F)
Storage	-40° to 65°C (-40° to 149°F)

### Relative humidity

Operating	20% to 80% (noncondensing) with a maximum humidity gradation of 10% per hour
Storage	5% to 95% (noncondensing)

### Maximum vibration

Operating	0.26 Grms at 5–350 Hz for 15 min
Storage	1.54 Grms at 10–250 Hz for 15 min

### Maximum shock

Operating	One shock pulse in the positive z axis (one pulse on each side of the system) of 31 G for up to 2.6 ms
Storage	Six consecutively executed shock pulses in the positive and negative x, y, and z axes (one pulse on each side of the system) of 71 G for up to 2 ms

### Altitude

Operating	-16 to 3,048 m (-50 to 10,000 ft) <b>NOTE:</b> For altitudes above 2,950 feet, the maximum operating temperature is derated 1°F/550 ft.
Storage	-16 to 10,600 m (-50 to 35,000 ft)

### Airborne Contaminant Level

Class	G2 or lower as defined by ISA-S71.04-1985
-------	---



Dell™ PowerEdge™  
Systémy R300

Začínáme  
se systémem



# Poznámky, upozornění a varování



**POZNÁMKA:** POZNÁMKA označuje důležitou informaci, s jejíž pomocí lépe využijete svůj počítač.



**UPOZORNĚNÍ:** UPOZORNĚNÍ poukazuje na možnost poškození hardwaru nebo ztráty dat a poskytuje návod, jak se danému problému vyhnout.



**POZOR: VAROVÁNÍ** označuje hrozící nebezpečí poškození majetku, poranění nebo usmrcení osob.

---

**Informace obsažené v tomto dokumentu podléhají změnám bez předchozího upozornění.**  
© 2007 Dell Inc. Všechna práva vyhrazena.

Reprodukce jakýmkoli způsobem bez písemného povolení společnosti Dell Inc. je přísně zakázána.

Ochranné známky použité v tomto textu: *Dell*, logo *DELL* a *PowerEdge* jsou ochranné známky společnosti Dell Inc. *Intel*, *Pentium*, *Celeron* a *Xeon* jsou registrované ochranné známky a *Core* je ochranná známka společnosti Intel Corporation v USA a dalších zemích. *Microsoft*, *Windows* a *Windows Server* jsou ochranné známky nebo registrované ochranné známky společnosti Microsoft Corporation v USA a dalších zemích. *Red Hat* a *Enterprise Linux* jsou registrované ochranné známky společnosti Red Hat Inc. *SUSE* je registrovaná ochranná známka společnosti Novell Inc.

V tomto dokumentu mohou být použity další ochranné známky a obchodní názvy buď s odkazem na právnické osoby a organizace, které uplatňují na dané ochranné známky a obchodní názvy nárok, nebo s odkazem na jejich výrobky. Společnost Dell Inc. nemá vlastnické zájmy vůči ochranným známkám a obchodním názvům jiným než svým vlastním.

Model SMT

Prosinec 2007

P/N HR210

Rev. A00

# Systemové funkce

Hlavní hardwarové a softwarové funkce systému jsou:

- Šasi pro montáž do stojanu 1U/1S s podporou pevných a výsuvných kolejnicek.
  - ✎ **POZNÁMKA:** K zobrazení informací o procesoru použijte program nastavení systému. Další informace najdete v části Použití programu nastavení systému v *Příručce majitele hardwaru*.
- Jeden z následujících procesorů:
  - Procesor Intel® Celeron® 445
  - Dvojjádrový procesor Intel Core™2 Duo E6305 nebo E6405
  - Čtyřjádrový procesor Intel Xeon® X3323, X3353 nebo X3363
- Minimálně 512 MB paměti sestávající z jednoduchých nebo duálních registrovaných paměťových modulů DDR2 o frekvenci 667 MHz s ochranou ECC. Paměť lze rozšířit maximálně na 24 GB instalací příslušných kombinací paměťových modulů o kapacitě 512 MB, 1 GB, 2 GB nebo 4 GB do šesti slotů na systémové desce.
- Jedna z následujících možností zvedacích karet:
  - Dvě zvedací karty (levá a střední), každá poskytující osmilinkový (x8 lane) rozšiřovací slot PCI-Express.  
NEBO
  - Jedna zvedací karta (střední) poskytující osmilinkový (x8 lane) rozšiřovací slot PCI-Express.
  - Jedna zvedací karta (levá) poskytující rozšiřovací slot PCI-X, 3,3 V, 64 bitů, 133 MHz.
- Jedna jednotka DVD nebo kombinovaná jednotka CD-RW/DVD o výšce 12,7 mm v pozici pro jednotky.

- Podpora následujících konfigurací interních pevných disků:
  - Až dva 3,5palcové interní pevné disky SATA s volitelnou kartou řadiče SAS (k dispozici je možnost připojení za provozu).
  - Až dva 3,5palcové interní pevné disky SAS (Serial-Attached SCSI) s volitelnou kartou řadiče SAS (k dispozici je možnost připojení za provozu).
- Volitelný ovladač pro vzdálený přístup umožňující vzdálenou správu systému, který je instalován do vyhrazeného slotu na systémové desce.
- Volitelná jednotka USB flash emuluje disketovou jednotku nebo pevný disk.
- Jeden napájecí zdroj 400 W (k dispozici je volitelný záložní napájecí zdroj).
- Dvě integrované síťové karty Gigabit Ethernet podporující datové přenosy rychlostí 10 Mb/s, 100 Mb/s a 1000 Mb/s a funkci Wake-on-LAN.
- Karta ovladače pro vzdálený přístup (DRAC5), která pro počítač Dell PowerEdge poskytuje vzdálenou správu systému, obnovení havarovaného systému a funkce řízení napájení.
- Integrovaný grafický subsystém VGA s grafickou kartou ATI ES1000, 33 MHz PCI. Tento grafický subsystém disponuje minimálně 32 MB grafické paměti a podporuje zobrazení 2D. Maximální rozlišení je 1600 x 1200 s 65 536 barvami. Zobrazení true color je podporováno v následujících rozlišeních: 640 x 480, 800 x 600, 1024 x 768 a 1280 x 1024. Je-li nainstalována volitelná karta ovladače pro vzdálený přístup, je maximální grafické rozlišení 1280 x 1024.
- Ventilátorové moduly sestávající ze dvou ventilátorů s duálním rotorem umístěné před procesorem a paměti.
- Ventilátorové moduly sestávající ze dvou ventilátorů s duálním rotorem umístěné před napájecím zdrojem. Tyto ventilátory se používají pro dva záložní napájecí zdroje (v konfiguracích s pevnými disky připojitelnými za provozu a záložními napájecími zdroji).
- Sériový konektor pro podporu přesměrování na konzolu.
- Zabezpečovací funkce včetně detekce vniknutí do šasi a zámku na volitelném čelním krytu.

- Integrovaný modul TPM (Trusted Platform Module) verze 1.2 používaný pro aplikace zabezpečení s funkcí generování a ukládání klíčů a ukládání hesel a digitálních certifikátů (není k dispozici v Číně).
- Okruhy a software systémové správy monitorující kritická napětí a teploty v systému.
- Konektory na zadním panelu: video, sériový, dva USB a dva síťové.
- Konektory na předním panelu: video (VGA) a dva USB.
- Jeden interní konektor USB pro spouštěcí paměťový klíč.
- Displej LCD 1 x 5 palců na předním panelu pro zobrazení systémového ID a chybových hlášení.

Další informace o specifických funkcích najdete v části „Technické specifikace“ na stránce 25.

Systém obsahuje následující software:

- Program nastavení systému umožňující rychle zobrazit a změnit informace o konfiguraci systému. Další informace najdete v části Použití programu nastavení systému v *Příručce majitele hardwaru*.
- Zlepšené bezpečnostní funkce včetně systémového hesla a hesla pro nastavení, dostupné prostřednictvím programu nastavení systému.
- Ovladače videa pro zobrazování programů v režimu vysokého rozlišení.

Disky CD se softwarem pro správu systému a dokumentací.

## Podporované operační systémy

- Microsoft® Windows Server® 2008, verze Web, Standard a Enterprise (32bitové x86) (*jsou-li k dispozici*)
- Microsoft Windows Server 2008, verze Web, Standard, Small Business Server (Premium a Standard) a Enterprise (x64) (*jsou-li k dispozici*)
- Microsoft Windows Server 2003, verze Web, Standard, Small Business Server (Premium a Standard) a Enterprise (32bitové x86) (s aktualizacemi SP1 a SP2)
- Microsoft Windows Server 2003, verze Standard a Enterprise (x64)
- Microsoft Windows Server 2003 R2, verze Standard, Small Business Server (Premium a Standard) a Enterprise (32bitové x86)

- Microsoft Windows Server 2003 R2, verze Standard a Enterprise (x64)
- Red Hat® Enterprise Linux® ES (verze 4 a 5) (x86\_32)
- Red Hat Enterprise Linux ES (verze 4 a 5) (x86\_64)
- SUSE® Linux Enterprise Server 9 (s aktualizací SP4 nebo novější) (x86\_64)
- SUSE Linux Enterprise Server 10 (x86\_64)



**POZNÁMKA:** Nejnovější informace o podporovaných operačních systémech naleznete na webu [www.dell.com](http://www.dell.com).

## Další užitečné informace



**POZOR: Informační příručka produktu obsahuje důležité bezpečnostní a právní informace. Informace o záruce je součástí tohoto dokumentu nebo je přiložena samostatně.**

- *Návod pro instalaci do stojanu* nebo *Pokyny pro instalaci do stojanu* dodané se stojanovým systémem popisují instalaci systému do stojanu.
- Příručka *Začínáme se systémem* poskytuje přehled systémových funkcí, informace o instalaci systému a technické specifikace.
- *Příručka majitele hardwaru* obsahuje informace o funkcích systému a popisuje řešení problémů se systémem a instalaci nebo výměnu komponent.
- Disky CD dodané se systémem obsahují dokumentaci a nástroje pro konfiguraci a správu systému.
- Dokumentace k softwaru pro správu systému popisuje funkce, požadavky, instalaci a základní operace tohoto softwaru.
- Dokumentace operačního systému popisuje proces instalace (v nezbytném případě), konfigurace a používání softwaru operačního systému.
- Dokumentace k jakýmkoli komponentám zakoupeným samostatně poskytuje informace o konfiguraci a instalaci těchto komponent.


- Se systémem jsou někdy dodány také aktualizace, které popisují změny v systému, softwaru nebo dokumentaci.
  - ✍ **POZNÁMKA:** Vždy nejprve zkontrolujte a přečtěte aktualizace uvedené na adrese **support.dell.com**, protože tyto aktualizace často nahrazují informace v ostatních dokumentech.
- Součástí dodávky mohou být také poznámky k verzi nebo soubory readme, které obsahují poslední aktualizace k systému nebo dokumentaci, případně rozšířené technické materiály určené zkušeným uživatelům a technikům.


## Odborná pomoc

Nerozumíte-li některému z postupů popsaných v této příručce nebo nepracuje-li systém podle očekávání, nahlédněte do *Příručky majitele hardwaru*.

Společnosti Dell rovněž nabízí školení a certifikaci (Dell Enterprise Training and Certification). Další informace najdete na adrese **www.dell.com/training**. Tato služba nemusí být nabízena ve všech regionech.

## Instalace a konfigurace

 **POZOR:** Před provedením následujícího postupu si přečtěte bezpečnostní pokyny a důležité informace o plnění norem v *Informační příručce produktu* a postupujte podle těchto pokynů a informací.

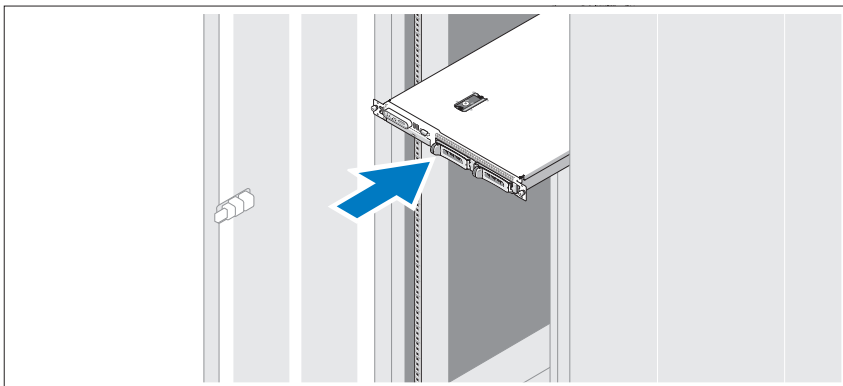
 **POZOR:** Při každém zvedání systému požádejte o asistenci. Systém nezvedejte sami, vyvarujete se tak možného zranění.

V této části jsou popsány kroky, které je nutné provést při první instalaci systému.

### Rozbalení systému

Rozbalte systém a identifikujte jeho jednotlivé součásti. Veškerý obalový materiál uschovejte pro případ pozdější potřeby.

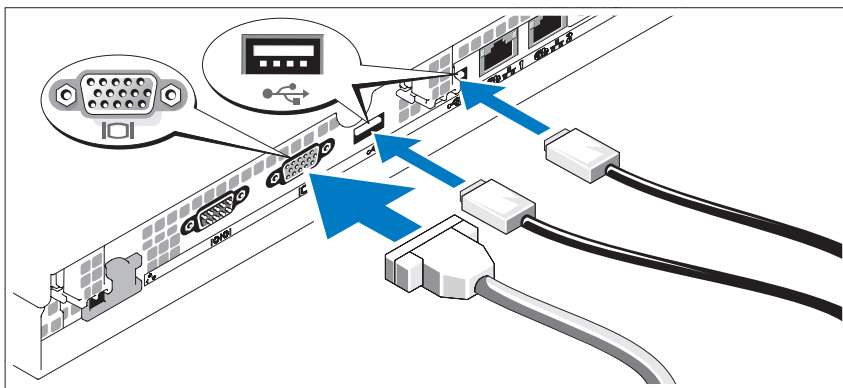
## Instalace kolejniček a systému do stojanu



Nejprve si přečtěte Bezpečnostní pokyny uvedené v dokumentaci k instalaci systému do stojanu a potom proveďte instalaci kolejniček a systému do stojanu.

Pokyny k instalaci systému do stojanu naleznete v dokumentaci k instalaci do stojanu. Pokyny k napájení a chlazení najdete v nástroji pro plánování kapacity stojanu na adrese [www.dell.com](http://www.dell.com).

## Připojení klávesnice, myši a monitoru

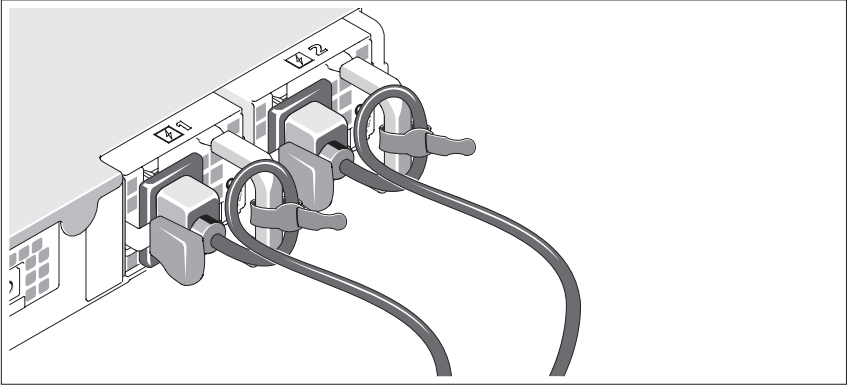


Připojte klávesnici, myš a monitor (volitelný).

Konektory na zadní straně systému mají ikony znázorňující, který kabel se má připojit ke kterému konektoru. Zajistěte, aby šrouby na konektoru kabelu monitoru byly dobře dotaženy (je-li jimi konektor vybaven).



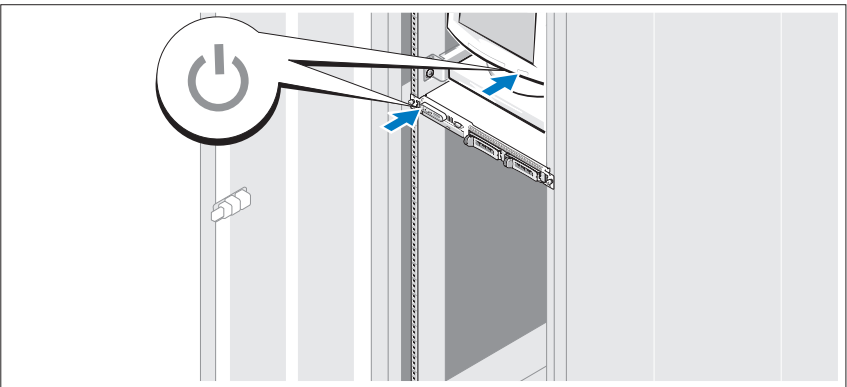
## Připojení ke zdroji napětí



Připojte napájecí kabel(y) k systému (na obrázku je znázorněn systém se záložním zdrojem). V případě systému se záložním zdrojem zajistěte podle obrázku kabely dvěma páskami Velcro dodanými se systémem. V případě systému bez záložního zdroje připevněte retenční svorku napájecího kabelu dodanou se systémem.

Poté zasuňte druhý konec kabelu do uzemněné elektrické zásuvky nebo jej připojte k samostatnému zdroji napájení, například ke zdroji nepřerušitelného napájení (UPS) nebo jednotce rozvaděče (PDU).

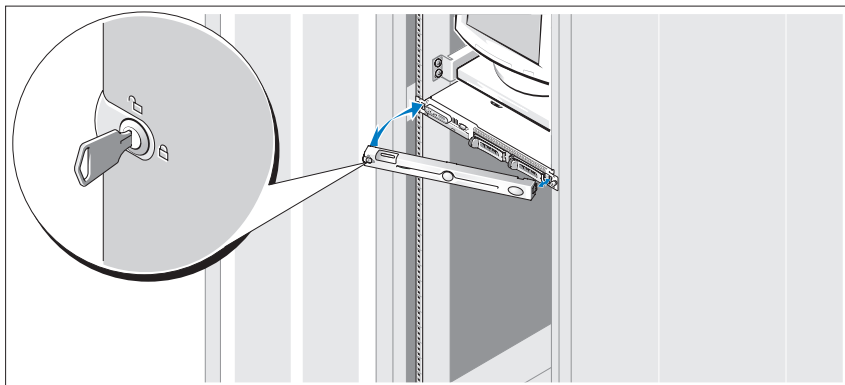
## Zapnutí systému



Zapněte systém a monitor (volitelný).

Stiskněte vypínač na systému a na monitoru. Kontrolky napájení by se měly rozsvítit. Upravte ovládací prvky monitoru tak, aby byl obraz uspokojivý.

## Instalace čelního krytu



Nainstalujte čelní kryt (volitelný).

## Dokončení instalace operačního systému

Pokud jste zakoupili předinstalovaný operační systém, prostudujte dokumentaci k operačnímu systému dodanou se systémem. Pokyny k první instalaci operačního systému naleznete v *Příručce rychlé instalace*. Než začnete s instalací hardwaru či softwaru, který nebyl zakoupen společně se systémem, ujistěte se, že je nainstalován operační systém.

# Technické specifikace

---

## Procesor

---

Typ procesoru	Procesor Intel <sup>®</sup> Celeron <sup>®</sup> 445 (jednojádrový) nebo Dvoujádrový procesor Intel Core <sup>™</sup> 2 Duo řady E6305 nebo E6405 nebo Čtyřjádrový procesor Intel Xeon <sup>®</sup> řady X3323, X3353 nebo X3363
---------------	--

---

## Rozšiřovací sběrnice

---

Typ sběrnice	PCI-X, PCIe
--------------	-------------

### Rozšiřovací sloty na dvou volitelných zvedacích kartách

#### Zvedací karta 1

Střední zvedací karta PCIe	Jeden osmilinkový (x8 lane) slot PCIe s plnou výškou a poloviční délkou
Levá zvedací karta PCIe	Jeden osmilinkový (x8 lane) slot PCIe s plnou výškou a poloviční délkou

#### Zvedací karta 2

Levá zvedací karta PCI-X	Jeden slot PCI-X s plnou výškou a poloviční délkou, 64 bitů, 133 MHz
Střední zvedací karta PCIe	Jeden osmilinkový (x8 lane) slot PCIe s plnou výškou a poloviční délkou

---

## Paměť

---

Architektura	Až šest registrovaných paměťových modulů RDRAM DDR2 o frekvenci 677 MHz s ochranou ECC
Sloty pro paměťové moduly	Šest 240kolíkových
Kapacity paměťových modulů	512 MB, 1 GB, 2 GB, 4 GB
Minimum paměti RAM	512 MB (jeden modul o kapacitě 512 MB)
Maximum paměti RAM	24 GB

---

## Jednotky

---

### Pevné disky

SATA	Až dva 3,5palcové interní (volitelně s možností připojení za provozu)
SAS	Až dva 3,5palcové interní s volitelnou kartou řadiče SAS (volitelně s možností připojení za provozu)
Jednotka CD nebo DVD	Jedna volitelná jednotka DVD nebo kombinovaná jednotka CD-RW/DVD v pozici pro jednotky <b>POZNÁMKA:</b> Zařízení DVD jsou určena pouze pro data.
Jednotka USB flash	Jedna volitelná jednotka emulující disketovou jednotku nebo pevný disk

---

## Konektory

---

### Externě přístupné

#### Vzadu

Síťový adaptér	Dva RJ-45 (pro integrované síťové adaptéry Gigabit Ethernet)
Sériový	9kolíkový
USB	Dva 4kolíkové, USB 2.0
Video	15kolíkový VGA

#### Vpředu

Video	15kolíkový VGA
USB	Dva 4kolíkové, USB 2.0

### Interně přístupné

Kanály SATA	Tři 7kolíkové
Klíč USB (pro paměťový klíč)	Jeden 4kolíkový, USB 2.0

---

**Video**

---

Typ grafiky	Integrovaná grafická karta ATI ES1000 VGA
Grafická paměť	32 MB (minimum) až 64 MB (maximum), typ DDR II

---

**Napájení**

---

**Napájecí zdroj (střídavý proud)**

Výkon	Záložní napájecí zdroj 400 W v konfiguraci s pevnými disky připojitelnými za provozu a záložním napájecím zdrojem (maximální konfigurace)
Napětí	100–240 V (stř.), 50/60 Hz
Maximální nárazový proud	V typických podmínkách napájení a v celém provozním rozsahu systému může nárazový proud dosáhnout 25 A po dobu 10 ms nebo méně.
Systémová baterie	Lithium-iontová knoflíková baterie CR 2032 3,0 V

---

**Rozměry**

---

Výška	4,2 cm
Šířka	42,6 cm

**Hloubka**

S volitelným čelním krytem	69,3 cm
Bez volitelného čelního krytu	66 cm
Hmotnost (maximální konfigurace)	13,45 kg

---

## Prostředí

---

**POZNÁMKA:** Další informace o měřených údajích prostředí najdete pro jednotlivé systémové konfigurace na adrese [www.dell.com/environmental\\_datasheets](http://www.dell.com/environmental_datasheets).

### Teplota

Provozní	10 až 35 °C
Skladovací	-40 až 65 °C

### Relativní vlhkost

Provozní	20 až 80 % (bez kondenzace) s maximálním nárůstem vlhkosti o 10 % za hodinu
Skladovací	5 až 95 % (bez kondenzace)

### Maximální vibrace

Provozní	0,26 g při 5–350 Hz po dobu 15 minut
Skladovací	1,54 g při 10–250 Hz po dobu 15 minut

### Maximální ráz

Provozní	Jeden rázový impuls v kladné ose z (jeden impuls na každé straně systému) o síle 31 G v délce do 2,6 ms
Skladovací	Šest po sobě jdoucích rázových impulsů v kladné i záporné ose x, y, a z (jeden impuls na každé straně systému) o síle 71 G v délce do 2 ms

### Nadmořská výška

Provozní	-16 až 3 048 m <b>POZNÁMKA:</b> V nadmořských výškách nad 900 metrů je maximální provozní teplota snížena o 1 °C na každých 93 metrů.
Skladovací	-16 až 10 600 m

### Úroveň znečištění vzduchu

Třída	G2 nebo nižší dle normy ISA-S71.04-1985
-------	---

Systèmes Dell™  
PowerEdge™ R300

# Guide de mise en route



# Remarques, avis et précautions



**REMARQUE** : Une REMARQUE indique des informations importantes qui peuvent vous aider à mieux utiliser votre ordinateur.



**AVIS** : Un AVIS vous avertit d'un risque de dommage matériel ou de perte de données et vous indique comment éviter le problème.



**PRÉCAUTION** : Une PRÉCAUTION indique un risque potentiel d'endommagement du matériel, de blessure corporelle ou de mort.

---

**Les informations contenues dans ce document peuvent être modifiées sans préavis.**

© 2007 Dell Inc. Tous droits réservés.

La reproduction de ce document de quelque manière que ce soit sans l'autorisation écrite de Dell Inc. est strictement interdite.

Marques utilisées dans ce document : *Dell*, le logo *DELL* et *PowerEdge* sont des marques de Dell Inc. ; *Intel*, *Pentium*, *Celeron* et *Xeon* sont des marques déposées de Intel Corporation aux États-Unis et dans d'autres pays ; *Core* est une marque de Intel Corporation aux États-Unis et dans d'autres pays ; *Microsoft*, *Windows* et *Windows Server* sont des marques ou des marques déposées de Microsoft Corporation aux États-Unis et/ou dans d'autres pays ; *Red Hat* et *Enterprise Linux* sont des marques déposées de Red Hat Inc. ; *SUSE* est une marque déposée de Novell Inc.

D'autres marques et noms de marques peuvent être utilisés dans ce document pour faire référence aux entités se réclamant de ces marques et de ces noms ou à leurs produits. Dell Inc. dénie tout intérêt propriétaire vis-à-vis des marques et des noms de marque autres que les siens.

Modèle SMT

Décembre 2007

N/P HR210

Rév. A00



## Caractéristiques du système

Les principales caractéristiques du système sur le plan matériel et logiciel sont les suivantes :

- Châssis 1U/1S montable en rack avec support pour rails statiques et rails coulissants.



**REMARQUE** : Utilisez le programme de configuration du système pour visualiser les informations concernant les processeurs. Voir "Using the System Setup Program" (Utilisation du programme de configuration du système) dans le document *Hardware Owner's Manual* (Manuel du propriétaire).

- L'un des deux processeurs suivants est installé :
  - Processeur à cœur unique Intel® Celeron® 445
  - Processeur double cœur Intel Core™2 Duo E6305 ou E6405
  - Processeur quadruple cœur Intel Xeon® X3323, X3353 ou X3363
- Un minimum de 512 Mo de mémoire, sous forme de barrettes DDR2 à une seule ou deux rangées de connexion, à registres et avec ECC, cadencées à 667 MHz. Extension possible (jusqu'à 24 Go maximum) via l'installation de combinaisons de barrettes de 512 Mo, 1 Go, 2 Go ou 4 Go dans les six emplacements mémoire de la carte système.
- L'une des options suivantes pour la carte de montage :
  - Deux cartes de montage (gauche et centrale) offrant chacune un logement d'extension PCI-Express x8.
  - ou-
  - Une carte de montage (installée au centre) comprenant un logement d'extension PCI-Express x8.
  - Une carte de montage (installée à gauche) comprenant un logement d'extension PCI-X 64 bits à 3,3 V (133 MHz).
- Un lecteur de DVD de 12,7 mm ou un lecteur combo CD-RW/DVD, installé dans une baie de périphérique.

- Prise en charge des configurations suivantes pour les disques durs internes :
  - Jusqu'à deux disques durs SATA internes de 3,5 pouces, avec la carte contrôleur SAS en option (version enfichable à chaud disponible en option).
  - Jusqu'à deux disques durs SAS (Serial-Attached SCSI) internes de 3,5 pouces, avec une carte contrôleur SAS en option (version enfichable à chaud disponible en option).
- Un contrôleur d'accès distant en option (pour la gestion de systèmes à distance), installé dans le logement dédié de la carte système.
- Un lecteur flash USB (en option) émulant un lecteur de disquette ou un disque dur.
- Un bloc d'alimentation de 400 W (bloc d'alimentation redondant disponible en option).
- Deux cartes réseau Ethernet Gigabit intégrées prenant en charge des débits de 10, 100 ou 1000 Mbps avec prise en charge de la fonction Wake-on-LAN.
- Un contrôleur DRAC5 (Dell Remote Access Controller Card 5) fournissant des fonctions de gestion de systèmes à distance, de récupération d'urgence et de contrôle de l'alimentation pour Dell PowerEdge.
- Un sous-système vidéo compatible VGA intégré avec contrôleur vidéo PCI ATI ES1000 (33 MHz). Ce sous-système dispose d'un minimum de 32 Mo de mémoire graphique avec prise en charge des graphiques en 2D. La résolution maximale prise en charge est de 1600 x 1200 avec 65536 couleurs. Les graphiques True-color sont pris en charge dans les résolutions suivantes : 640 x 480, 800 x 600, 1024 x 768 et 1280 x 1024. Lorsque la carte RAC en option est installée, la résolution vidéo maximale est de 1280 x 1024.
- Quatre modules de ventilation, chacun comprenant deux ventilateurs à double rotor, positionnés devant le processeur et la mémoire.

- Modules de ventilation comprenant deux ventilateurs à double rotor, positionnés devant les blocs d'alimentation. Ces ventilateurs sont utilisés pour les deux blocs d'alimentation redondants (configuration comprenant des disques durs enfichables à chaud et des blocs d'alimentation redondants).
- Un connecteur série assurant la prise en charge de la redirection de console.
- Des fonctions de sécurité telles que la détection des intrusions dans le châssis et le verrou du cadre en option.
- Puce TPM (Trusted Platform Module) intégrée version 1.2, utilisée pour la sécurité des applications et pouvant générer et mémoriser des clés, des mots de passe et des certificats numériques (non disponible en Chine).
- Des circuits/logiciels de gestion de systèmes surveillant les tensions et les températures critiques.
- Le panneau arrière contient un port série, un port vidéo, deux ports USB et deux connecteurs de carte réseau.
- Le panneau avant comprend deux connecteurs USB et un connecteur VGA.
- Un connecteur USB interne permet d'installer une clé de mémoire amorçable.
- L'écran LCD 1x5 du panneau avant affiche l'ID du système et les messages d'erreur.

Pour plus d'informations sur des caractéristiques spécifiques, voir "Spécifications techniques", à la page 40.

Les logiciels suivants sont livrés avec le système :

- Programme de configuration du système permettant de consulter et de modifier les informations de configuration. Pour plus d'informations, voir "Using the System Setup Program" (Utilisation du programme de configuration du système), dans le document *Hardware Owner's Manual* (Manuel du propriétaire).
- Fonctions de sécurité avancées (disponibles dans le programme de configuration du système) permettant de définir un mot de passe système et un mot de passe de configuration.
- Pilotes vidéo permettant d'afficher des programmes dans les modes à haute résolution.

CD contenant les logiciels de gestion de systèmes et la documentation.

## Systèmes d'exploitation pris en charge

- Microsoft® Windows Server® 2008 32 bits/x86 éditions Web, Standard et Enterprise (*selon disponibilité*)
- Microsoft Windows Server 2008 64 bits éditions Web, Standard, Small Business Server (Premium et Standard) et Enterprise (*selon disponibilité*)
- Microsoft Windows Server 2003 32 bits/x86 éditions Web, Standard, Small Business Server (Premium et Standard) et Enterprise (SP1 et SP2)
- Microsoft Windows Server 2003 64 bits éditions Standard et Enterprise
- Microsoft Windows Server 2003 R2 32 bits/x86 éditions Standard, Small Business Server (Premium et Standard) et Enterprise
- Microsoft Windows Server 2003 R2 64 bits éditions Standard et Enterprise
- Red Hat® Enterprise Linux® ES, x86\_32, versions 4 et 5
- Red Hat Enterprise Linux ES, x86\_64, versions 4 et 5
- SUSE® Linux Enterprise Server 9, x86\_64, SP4 ou suivant
- SUSE Linux Enterprise Server 10, x86\_64



**REMARQUE :** Pour obtenir les informations les plus récentes sur les systèmes d'exploitation pris en charge, rendez-vous sur le site [www.dell.com](http://www.dell.com).

## Autres informations utiles



**PRÉCAUTION :** Le document *Product Information Guide* (Guide d'information sur le produit) contient d'importantes informations se rapportant à la sécurité et aux réglementations. Les informations sur la garantie se trouvent soit dans ce document, soit à part.

- Les documents *Rack Installation Guide* (Guide d'installation du rack) et *Rack Installation Instructions* (Instructions d'installation du rack) fournis avec la solution rack décrivent l'installation du système.
- Le document *Getting Started Guide* (Guide de mise en route) décrit les caractéristiques du système, les procédures de configuration et les spécifications techniques.
- Le document *Hardware Owner's Manual* (Manuel du propriétaire) contient des informations sur les caractéristiques du système, ainsi que des instructions relatives au dépannage et à l'installation ou au remplacement de composants.
- Les CD fournis avec le système contiennent des documents et des outils relatifs à la configuration et à la gestion du système.
- La documentation des logiciels de gestion de systèmes contient des informations sur les fonctionnalités, l'installation et l'utilisation de base de ces logiciels, ainsi que sur la configuration requise.
- La documentation du système d'exploitation indique comment installer (au besoin), configurer et utiliser le système d'exploitation.
- La documentation fournie avec les composants achetés séparément contient des informations permettant de configurer et d'installer ces options.
- Des mises à jour sont parfois fournies avec le système. Elles décrivent les modifications apportées au système, aux logiciels ou à la documentation.



**REMARQUE :** Vérifiez toujours si des mises à jour sont disponibles sur le site [support.dell.com](http://support.dell.com) et lisez-les en premier, car elles remplacent souvent les informations contenues dans les autres documents.


- Si des notes d'édition ou des fichiers lisez-moi (readme) sont fournis, ils contiennent des mises à jour de dernière minute apportées au système ou à la documentation, ou bien des informations techniques avancées destinées aux utilisateurs expérimentés ou aux techniciens.


## Obtention d'une assistance technique

Si vous ne comprenez pas une procédure décrite dans ce guide ou si le système ne réagit pas comme prévu, reportez-vous au document *Hardware Owner's Manual* (Manuel du propriétaire).

Des formations et certifications Dell Enterprise sont disponibles. Pour plus d'informations, consultez le site [www.dell.com/training](http://www.dell.com/training). Ce service n'est disponible que dans certains pays.

## Installation et configuration

 **PRÉCAUTION** : Avant de commencer la procédure suivante, lisez et appliquez les consignes de sécurité et les informations importantes sur les réglementations figurant dans le document *Product Information Guide* (Guide d'information sur le produit).

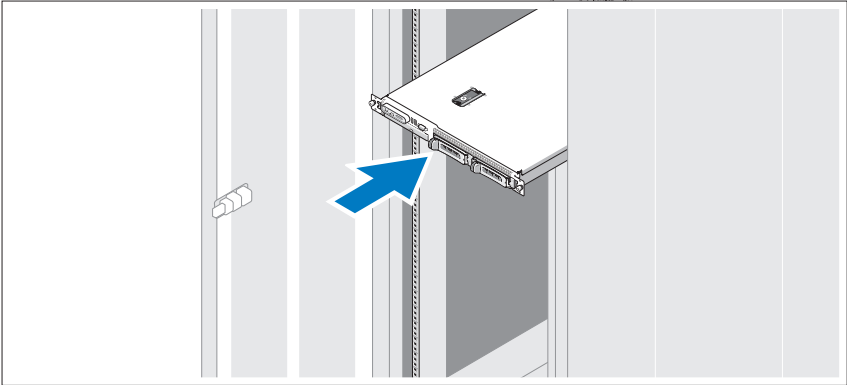
 **PRÉCAUTION** : Demandez toujours de l'aide avant de soulever le système. N'essayez pas de le soulever seul, car vous risqueriez de vous blesser.

Cette section décrit les opérations à effectuer lors de la configuration initiale du système.

### Déballage du système

Sortez le système de son emballage et identifiez chaque élément. Conservez les matériaux d'emballage au cas où vous en auriez besoin ultérieurement.

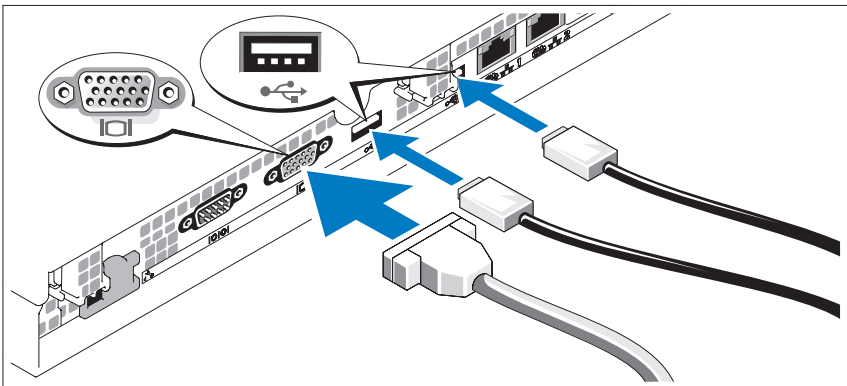
## Installation des rails et du système dans un rack



Commencez par lire les consignes de sécurité qui se trouvent dans la documentation d'installation du rack, puis installez le système dans le rack.

Consultez la documentation d'installation en rack pour obtenir les instructions appropriées. Pour obtenir des directives concernant l'alimentation et le refroidissement, reportez-vous au planificateur de capacité des racks disponible sur le site [www.dell.com](http://www.dell.com).

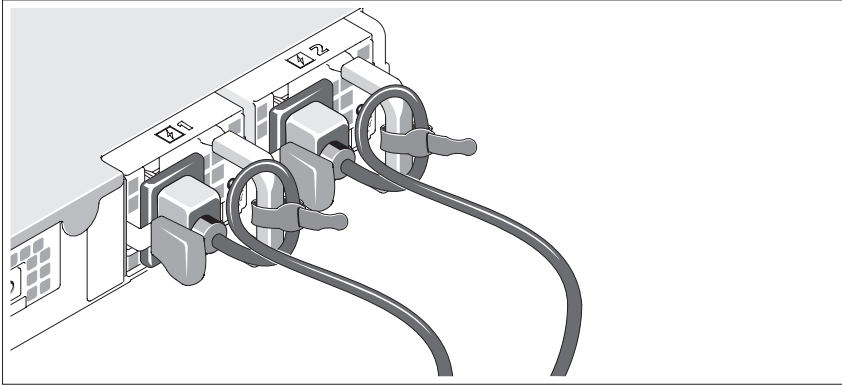
## Connexion du clavier, de la souris et du moniteur



Connectez le clavier et la souris, ainsi que le moniteur (si nécessaire).

Utilisez les icônes des connecteurs situés à l'arrière du système pour savoir où insérer chaque câble. N'oubliez pas de serrer les vis situées sur le connecteur du câble du moniteur, s'il en est équipé.

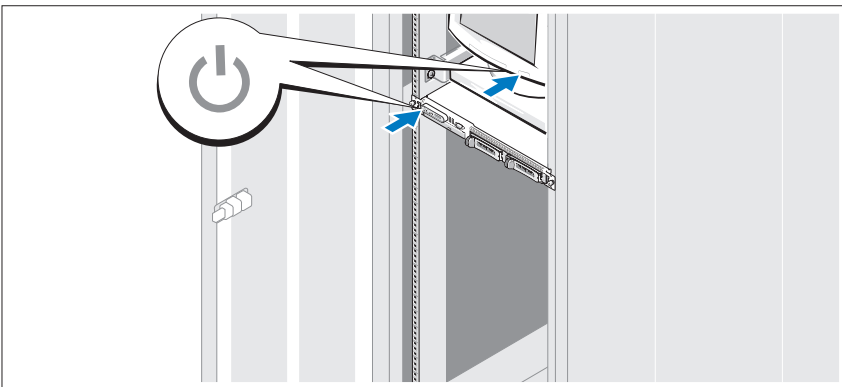
## Branchement des câbles d'alimentation



Branchez le(s) câble(s) d'alimentation sur le système (l'illustration présente un système redondant). Pour les systèmes redondants, attachez les câbles à l'aide des deux bandes Velcro fournies avec le système, comme indiqué dans l'illustration. Pour les systèmes non redondants, installez le support de fixation de câble d'alimentation fourni avec le système.

Branchez ensuite l'autre extrémité du câble sur une prise de courant mise à la terre ou sur une source d'alimentation autonome (onduleur ou unité de distribution de l'alimentation [PDU]).

## Mise sous tension du système

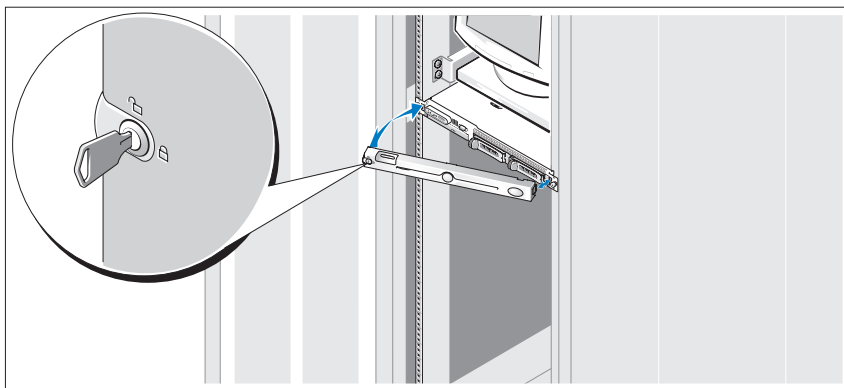


Mettez le système sous tension, ainsi que le moniteur, si nécessaire.



Appuyez sur le bouton d'alimentation du système et sur celui du moniteur. Les voyants d'alimentation doivent s'allumer. Réglez le moniteur jusqu'à ce que l'image soit correctement affichée.

### Installation du cadre



Installez le cadre (facultatif).

## Finalisation de l'installation du système d'exploitation

Si vous avez acheté un système d'exploitation préinstallé, consultez tout d'abord la documentation associée, qui a été fournie avec l'ordinateur. Si vous installez un système d'exploitation pour la première fois, consultez le document *Quick Installation Guide* (Guide d'installation rapide). Veillez à installer le système d'exploitation avant tout élément matériel ou logiciel acheté séparément.

# Spécifications techniques

---

## Processeur

---

Type de processeur	Processeur à cœur unique Intel® Celeron® 445 -ou- Processeur double cœur Intel Core™2 Duo E6305 ou E6405 -ou- Processeur quadruple cœur Intel Xeon® X3323, X3353 ou X3363
--------------------	---

---

## Bus d'extension

---

Type de bus	PCI-X, PCIe
<b>Logements d'extension – Deux cartes de montage en option</b>	
Carte de montage 1	
Carte de montage PCIe centrale	Un logement PCIe x8 mi-longueur/pleine hauteur
Carte de montage PCIe de gauche	Un logement PCIe x8 mi-longueur/pleine hauteur
Carte de montage 2	
Carte de montage PCI-X de gauche	Un logement PCI-X 64 bits à 133 MHz mi-longueur/pleine hauteur
Carte de montage PCIe centrale	Un logement PCIe x8 mi-longueur/pleine hauteur

---

## Mémoire

---

Architecture	Jusqu'à six barrettes de RDRAM DDR2 à registres et avec ECC, cadencées à 667 MHz
Connecteurs mémoire	Six x 240 broches
Capacité des barrettes de mémoire	512 Mo, 1 Go, 2 Go ou 4 Go
RAM minimale	512 Mo (une barrette de 512 Mo)
RAM maximale	24 Go

---

## Lecteurs

---

### Disques durs

SATA	Jusqu'à deux disques durs internes de 3,5 pouces (disques enfichables à chaud disponibles en option)
SAS	Jusqu'à deux disques durs internes de 3,5 pouces avec une carte contrôleur SAS en option (disques enfichables à chaud disponibles en option)
Lecteur de CD/DVD	Un lecteur de DVD ou un lecteur combo CD-RW/DVD (tous deux en option) installé dans une baie de périphérique <b>REMARQUE :</b> Les périphériques DVD sont uniquement des périphériques de données.
Lecteur flash USB	Un lecteur en option émulant un lecteur de disquette ou un disque dur

---

## Connecteurs

---

### Accessibles de l'extérieur

#### Arrière

Carte réseau	Deux connecteurs RJ-45 (pour cartes réseau intégrées 1 Gigabit)
Série	9 broches
USB	Deux connecteurs à 4 broches, compatibles USB 2.0
Vidéo	VGA, 15 broches

#### Avant

Vidéo	VGA, 15 broches
USB	Deux connecteurs à 4 broches, compatibles USB 2.0

### Accessibles de l'intérieur

Canaux SATA	Trois x 7 broches
Clé USB (pour clé mémoire)	Un connecteur à 4 broches, compatible USB 2.0

---

**Vidéo**

---

Type de vidéo	Contrôleur VGA ATI ES1000 intégré
Mémoire vidéo	32 Mo (Minimum) – 64 Mo (Maximum), type DDR II

---

**Alimentation**

---

**Bloc d'alimentation en CA**

Puissance	Bloc d'alimentation de 400 W redondant pour les disques durs enfichables à chaud, plus un bloc d'alimentation redondant dans la configuration maximale
Tension	100 – 240 VCA, 50/60 Hz
Appel de courant maximal	Dans des conditions de lignes typiques et dans toute la gamme ambiante de fonctionnement du système, l'appel de courant peut atteindre 25 A pendant un maximum de 10 ms
Pile du système	Pile bouton au lithium-ion CR 2032 (3 V)

---

**Caractéristiques physiques**

---

Hauteur	4,2 cm (1,67 pouces)
Largeur	42,6 cm (16,78 pouces)
<b>Profondeur</b>	
Avec le cadre en option	69,3 cm (27,29 pouces)
Sans le cadre en option	66 cm (26 pouces)
Poids (configuration maximale)	13,45 kg (29,6 livres)

---

## Environnement

---

**REMARQUE :** Pour plus d'informations concernant les mesures d'exploitation liées à différentes configurations spécifiques, rendez-vous à l'adresse [www.dell.com/environmental\\_datasheets](http://www.dell.com/environmental_datasheets).

### Température

Fonctionnement	De 10° à 35°C (50 à 95°F)
Stockage	De -40° à 65°C (-40° à 149°F)

### Humidité relative

Fonctionnement	De 20% à 80% (sans condensation) avec un gradient d'humidité maximal de 10% par heure
Stockage	De 5% à 95% (sans condensation)

### Tolérance maximale aux vibrations

Fonctionnement	0,26 Grms avec un balayage de 5 à 350 Hz pendant 15 minutes
Stockage	1,54 Grms avec un balayage de 10 à 250 Hz pendant 15 minutes

### Choc maximal

Fonctionnement	Une impulsion de choc de 31 G pendant un maximum de 2,6 ms sur l'axe z positif (une impulsion de chaque côté du système)
Stockage	Six chocs consécutifs de 71 G pendant un maximum de 2 ms en positif et négatif sur les axes x, y et z (une impulsion de chaque côté du système)

### Altitude

Fonctionnement	De -16 à 3 048 m (-50 à 10 000 pieds) <b>REMARQUE :</b> Pour les altitudes supérieures à 900 mètres (2 950 pieds), la température maximale de fonctionnement est réduite de 1°C tous les 93 mètres (1°F tous les 550 pieds).
Stockage	De -16 à 10 600 m (-50 à 35 000 pieds)

### Contaminants en suspension dans l'air

Classe	G2 ou inférieure selon la norme ISA-S71.04-1985
--------	---



Dell™ PowerEdge™  
R300 Systeme

# Erste Schritte mit dem System



# Anmerkungen, Hinweise und Vorsichtshinweise



**ANMERKUNG:** Eine ANMERKUNG macht auf wichtige Informationen aufmerksam, die Ihnen die Arbeit mit dem Computer erleichtern.



**HINWEIS:** Ein HINWEIS warnt vor möglichen Beschädigungen der Hardware oder vor Datenverlust und zeigt auf, wie derartige Probleme vermieden werden können.



**VORSICHT:** Hiermit werden Sie auf eine potentiell gefährliche Situation hingewiesen, die zu Sachschäden, Verletzungen oder zum Tod von Menschen führen könnte.

---

**Irrtümer und technische Änderungen vorbehalten.**

**© 2007 Dell Inc. Alle Rechte vorbehalten.**

Nachdrucke jeglicher Art ohne die vorherige schriftliche Genehmigung von Dell Inc. sind strengstens untersagt.

In diesem Text verwendete Marken: *Dell*, das *DELL* Logo und *PowerEdge* sind Marken von Dell Inc.; *Intel*, *Pentium*, *Celeron* und *Xeon* sind eingetragene Marken von und *Core* ist eine eingetragene Marke von Intel Corporation in den USA und anderen Ländern; *Microsoft*, *Windows* und *Windows Server* sind entweder Marken oder eingetragene Marken von Microsoft Corporation in den USA und/oder anderen Ländern; *Red Hat* und *Enterprise Linux* sind eingetragene Marken von Red Hat Inc.; SUSE ist eine eingetragene Marke von Novell Inc..

Alle anderen in dieser Dokumentation genannten Marken und Handelsbezeichnungen sind Eigentum der jeweiligen Hersteller und Firmen. Dell Inc. erhebt keinen Anspruch auf Besitzrechte an Marken und Handelsbezeichnungen mit Ausnahme der eigenen.

**Modell SMT**

**Dezember 2007**

**Teilenr. HR210**

**Rev. A00**



# Systemmerkmale

Dies sind die wesentlichen Hardware- und Softwaremerkmale des Systems:

- Rack-montierbares Gehäuse (1U/1P) mit Unterstützung für feste Schienen und Gleitschienen.
  - ✎ **ANMERKUNG:** Verwenden Sie das System-Setup-Programm, um Informationen zum Prozessor anzuzeigen. Siehe „Verwenden des System-Setup-Programms“ im *Hardware-Benutzerhandbuch*.
- Einer der folgenden Prozessoren:
  - Intel® Single-Core-Prozessor Celeron® 445
  - Intel Dual-Core-Prozessor Core™ 2 Duo E6305 oder E6405
  - Intel Quad-Core-Prozessor Xeon® X3323, X3353 oder X3363
- Mindestens 512 MB registrierte Single- oder Dual-Speichermodule (667 MHz, DDR2, ECC), erweiterungsfähig auf maximal 24 GB durch Installation von Kombinationen aus Speichermodulen mit 512 MB, 1 GB, 2 GB oder 4 GB in den sechs Speichermodulsockeln auf der Systemplatine.
- Eine der folgenden Riserkarten-Optionen:
  - Zwei Riserkarten (links und mittig), jeweils mit einem PCI-Express-Erweiterungssteckplatz (x8-Bandbreite).  
ODER
  - Eine Riserkarte (mittig) mit einem PCI-Express-Erweiterungssteckplatz (x8-Bandbreite).
  - Eine Riserkarte (links) mit einem 3,3-V-, 64-Bit- 133-MHz-PCI-X-Erweiterungssteckplatz.
- Ein 12,7-Zoll DVD-Laufwerk oder eine CD-RW/DVD-Kombination in einem Laufwerkschacht.
- Folgende interne Festplattenkonfigurationen werden unterstützt:
  - Bis zu zwei interne SATA-Festplattenlaufwerke (3,5 Zoll) mit optionaler SAS-Controllerkarte (optional hot-plug-fähig).
  - Bis zu zwei interne SAS (Serial-Attached SCSI)-Festplattenlaufwerke (3,5 Zoll) mit optionaler SAS-Controllerkarte (optional hot-plug-fähig).

- Optionaler Remote-Access-Controller zur Fernverwaltung des Systems, installiert im dedizierten Steckplatz auf der Systemplatine.
- Optionales USB-Flash-Laufwerk, das ein Diskettenlaufwerk oder Festplattenlaufwerk emuliert.
- Ein 400-W-Netzteil (optionales redundantes Netzteil erhältlich).
- Zwei integrierte Gigabit-Ethernet-Netzwerkadapter mit unterstützten Datenübertragungsraten von 10 Mb/s, 100 Mb/s oder 1000 Mb/s und Wake-on-LAN-Unterstützung.
- Eine Dell Remote-Access-Controllerkarte (DRAC5) zur Fernverwaltung des Systems, zur Wiederherstellung beim Systemabsturz und für Energieverwaltungsfunktionen bei Dell PowerEdge.
- Integriertes VGA-kompatibles Grafiksубsystem mit ATI ES1000 PCI-Grafikcontroller mit 33 MHz. Dieses Grafiksубsystem enthält mindestens 32 MB Grafikspeicher mit Unterstützung für 2D-Grafik. Die maximale Auflösung beträgt 1600 x 1200 mit 65 536 Farben; TrueColor-Darstellung wird in den folgenden Auflösungen unterstützt: 640 x 480, 800 x 600, 1024 x 768, 1280 x 1024. Bei installierter optionaler Remote-Access-Karte ist die maximale Bildschirmauflösung 1280 x 1024.
- Lüftermodule vor Prozessor und Speichermodulen, die jeweils zwei doppelschraubige Lüfter enthalten.
- Lüftermodule vor dem Netzteil, die jeweils zwei doppelschraubige Lüfter enthalten. Diese Lüfter dienen zur Belüftung der beiden redundanten Netzteile (Konfiguration mit hot-plug-fähigen Festplattenlaufwerken und redundantem Netzteil).
- Serieller Anschluss für Konsolenumleitung.
- Sicherheitsfunktionen wie Gehäuseeingriffserkennung und Systemschloss an der optionalen Frontblende.
- Integriertes Trusted Platform Module (TPM) Version 1.2, das für Sicherheitsanwendungen eingesetzt wird und Schlüssel erstellen und speichern sowie Kennwörter und digitale Zertifizierungen speichern kann (nicht erhältlich in China).
- Systemverwaltungs-Schaltkreistechnik, die kritische Systemspannungen und -temperaturen überwacht.

- Auf der Rückseite befinden sich ein Bildschirmanschluss, ein serieller Anschluss, zwei USB-Anschlüsse sowie zwei Anschlüsse für Netzwerkadapter.
- Auf der Vorderseite sind ein Bildschirm- und zwei USB-Anschlüsse vorhanden.
- Ein interner USB-Port ermöglicht das Anschließen eines bootfähigen Speicherschlüssels.
- LCD-Display (1 × 5) auf der Vorderseite zur Anzeige von System-ID und Fehlermeldungen.

Weitere Informationen zu spezifischen Systemmerkmalen finden Sie im Abschnitt „Technische Daten“ auf Seite 55.

Ihr System ist mit folgender Software ausgestattet:

- System-Setup-Programm zum Anzeigen und Ändern der Systemkonfigurationseinstellungen. Siehe „Verwenden des System-Setup-Programms“ im *Hardware-Benutzerhandbuch*.
- Verbesserte Sicherheitsfunktionen, einschließlich eines Systemkennworts und eines Setup-Kennworts, die im System-Setup-Programm festgelegt werden.
- Grafiktreiber zur Anzeige vieler Anwendungsprogramme in hohen Auflösungsmodi.

Systemverwaltungssoftware und Dokumentations-CDs.

## Unterstützte Betriebssysteme

- Microsoft® Windows Server® 2008 Web, Standard und Enterprise (32-Bit x86) Edition (*bei Verfügbarkeit*)
- Microsoft Windows Server 2008 Web, Standard, Small Business Server (Premium und Standard), und Enterprise (x64) Edition (*bei Verfügbarkeit*)
- Microsoft Windows Server 2003 Web, Standard, Small Business Server (Premium und Standard), und Enterprise (32-Bit x86) Edition (SP1 und SP2)
- Microsoft Windows Server 2003 Standard und Enterprise x64 Edition
- Microsoft Windows Server 2003 R2, Standard, Small Business Server (Premium und Standard), und Enterprise (32-Bit x86) Edition

- Microsoft Windows Server 2003 Standard und Enterprise x64 Edition
- Red Hat® Enterprise Linux® ES (Versionen 4 und 5) (x86\_32)
- Red Hat Enterprise Linux ES (Versionen 4 und 5) (x86\_64)
- SUSE® Linux Enterprise Server 9 (SP4 oder höher) (x86\_64)
- SUSE Linux Enterprise Server 10 (x86\_64)



**ANMERKUNG:** Aktuelle Informationen zu den unterstützten Betriebssystemen erhalten Sie unter [www.dell.com](http://www.dell.com).

## Weitere nützliche Informationen



**VORSICHT:** Das *Produktinformationshandbuch* enthält wichtige Informationen zu Sicherheits- und Betriebsbestimmungen. Garantiebestimmungen können als separates Dokument beigelegt sein.

- Im zusammen mit der Rack-Lösung gelieferten *Rack-Installationshandbuch* bzw. in der *Rack Installation Instructions* (Rack-Installationsanleitung) ist beschrieben, wie das System in einem Rack installiert wird.
- Das *Handbuch zum Einstieg* enthält eine Übersicht über die Systemfunktionen, Einrichtung des Systems und technische Daten.
- Im *Hardware-Benutzerhandbuch* erhalten Sie Informationen über Systemfunktionen, zur Fehlerbehebung am System und zum Installieren oder Austauschen von Systemkomponenten.
- Mitgelieferte CDs enthalten Dokumentation und Dienstprogramme zum Konfigurieren und Verwalten des Systems.
- In der Dokumentation zur Systemverwaltungssoftware sind die Merkmale, die Anforderungen, die Installation und der grundlegende Einsatz der Software beschrieben.
- In der Dokumentation zum Betriebssystem ist beschrieben, wie das Betriebssystem installiert (sofern erforderlich), konfiguriert und verwendet wird.
- Dokumentationen für alle separat erworbenen Komponenten enthalten Informationen zur Konfiguration und zur Installation dieser Zusatzgeräte.

- Möglicherweise sind auch aktualisierte Dokumente beigelegt, in denen Änderungen am System, an der Software oder an der Dokumentation beschrieben sind.



**ANMERKUNG:** Wenn auf der Website [support.dell.com](http://support.dell.com) aktualisierte Dokumente vorliegen, lesen Sie diese immer zuerst, denn frühere Informationen werden damit gegebenenfalls ungültig.

- Anmerkungen zur Version oder Infodateien sind eventuell eingeschlossen, um Aktualisierungen am System oder der Dokumentation in letzter Minute zu bieten, oder fortgeschrittenes technisches Referenzmaterial, das für erfahrene Benutzer oder Techniker beabsichtigt ist.

## So erhalten Sie technische Unterstützung

Falls Sie einen Vorgang in diesem Handbuch nicht nachvollziehen können oder das System sich nicht wie erwartet verhält, nehmen Sie das *Hardware-Benutzerhandbuch* zur Hand.

Unternehmensschulungen und Zertifizierungen sind verfügbar.

Nähere Informationen hierzu finden Sie unter [www.dell.com/training](http://www.dell.com/training).

Diese Dienstleistungen stehen unter Umständen nicht an allen Standorten zur Verfügung.

## Installation und Konfiguration



**VORSICHT:** Bevor Sie mit dem folgenden Verfahren beginnen, lesen Sie zunächst die Sicherheitshinweise und wichtigen Vorschriften im *Produktinformationshandbuch* durch.



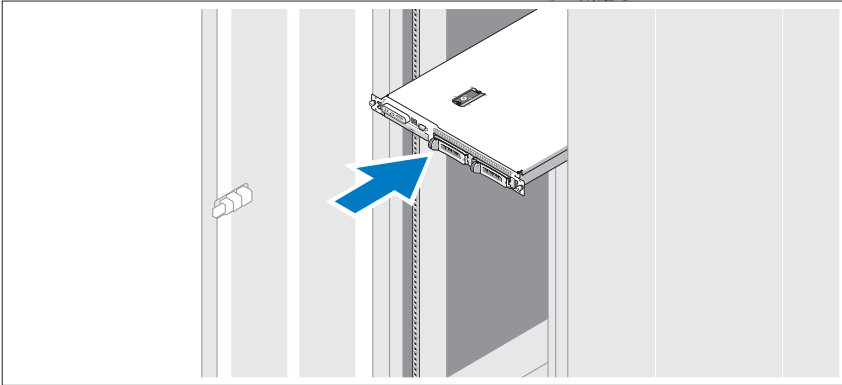
**VORSICHT:** Beim Anheben des Systems sollten Sie sich stets von jemand anders helfen lassen. Um Verletzungen zu vermeiden, sollten Sie nicht versuchen, das System allein zu bewegen.

In diesem Abschnitt ist die erstmalige Einrichtung des Systems beschrieben.

### Auspacken des Systems

Entnehmen Sie das System der Verpackung, und identifizieren Sie die einzelnen Komponenten. Bewahren Sie das Verpackungsmaterial für möglichen späteren Gebrauch auf.

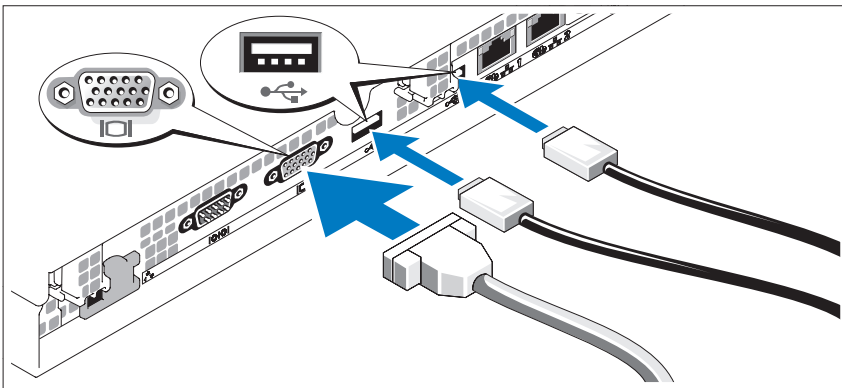
## Installation der Schienen und des Systems in einem Rack



Lesen Sie die Sicherheitshinweise in der Dokumentation zur Rack-Installation für das System, und installieren Sie dann das System im Rack.

Wie Sie das System in einem Rack installieren, erfahren Sie in der Dokumentation zur Rack-Installation. Richtlinien zur Stromversorgung und Kühlung finden Sie in der Kapazitäts-Planungshilfe für Rack-Installationen unter [www.dell.com](http://www.dell.com).

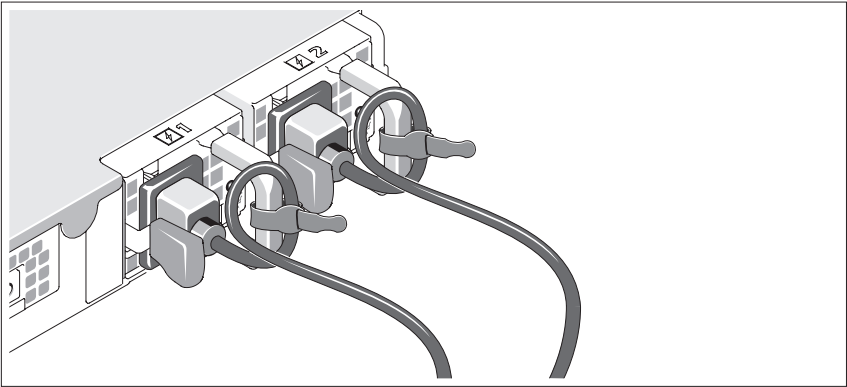
## Anschließen von Tastatur, Maus und Bildschirm



Schließen Sie die Tastatur, die Maus und den Bildschirm (optional) an.

Die Anschlüsse auf der Rückseite des Systems sind mit Symbolen gekennzeichnet, mit denen sich die entsprechenden Kabel zuordnen lassen. Denken Sie daran, gegebenenfalls die Schrauben am Stecker des Bildschirmkabels festzuziehen.

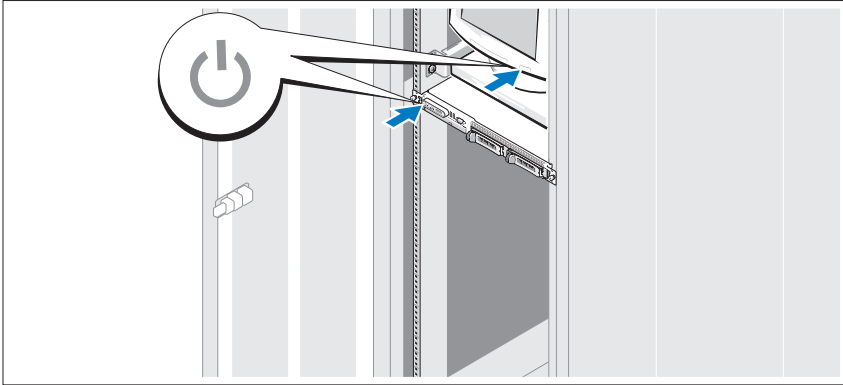
## Anschließen der Stromversorgung



Verbinden Sie das bzw. die Netzstromkabel mit dem System (Abbildung zeigt eine redundante Systemkonfiguration). Sichern Sie bei redundanten Systemkonfigurationen die Kabel mit den beiden im Lieferumfang des Systems enthaltenen Klettverschlüssen, wie in der Abbildung gezeigt. Montieren Sie bei nicht-redundanten Systemkonfigurationen die im mit dem System ausgelieferte Halteklammer für das Netzstromkabel.

Verbinden Sie das andere Ende des Kabels mit einer geerdeten Steckdose oder mit einer separaten Spannungsquelle, etwa einer unterbrechungsfreien Stromversorgung (USV) oder einem Stromverteiler.

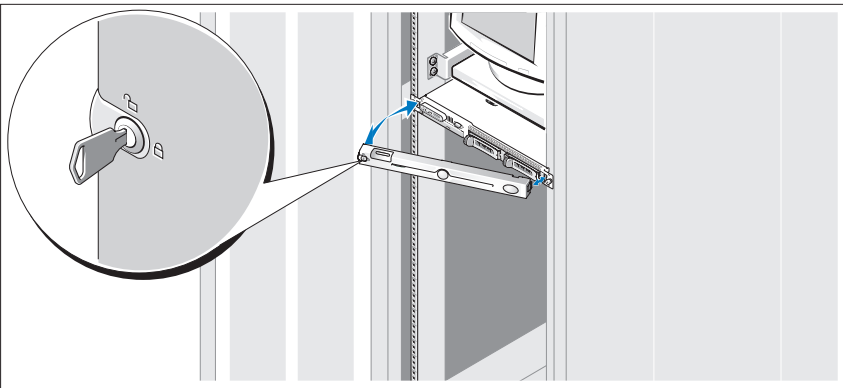
## Einschalten des Systems



Schalten Sie das System und den Bildschirm (optional) ein.

Drücken Sie den Netzschalter am System und am Bildschirm. Daraufhin sollten die Betriebsanzeigen aufleuchten. Stellen Sie den Bildschirm ein, bis die Anzeige zufriedenstellend ist.

## Anbringen der Frontverkleidung



Installieren Sie die Frontverkleidung (optional).



# Abschließen des Betriebssystem-Setups

Wenn das Betriebssystem vorinstalliert ist, lesen Sie die zusammen mit dem System gelieferte Dokumentation zum Betriebssystem. Wie Sie ein Betriebssystem erstmalig installieren, erfahren Sie in der *Kurz-Installationsanleitung*. Das Betriebssystem muss installiert sein, bevor Sie andere, nicht zusammen mit dem System erworbene Hardware oder Software installieren.

## Technische Daten

---

### Prozessor

---

Prozessortyp	Intel® Single-Core-Prozessor Celeron® 445 Oder Intel Dual-Core-Prozessor Core™ 2 Duo E6305 oder E6405 Sequenz Oder Intel Quad-Core-Prozessor Xeon® X3323, X3353 oder X3363 Reihe
--------------	--

---

### Erweiterungsbusse

---

Bustyp	PCI-X, PCIe
Erweiterungssteckplätze – Zwei optionale Riserkarten	
Riser 1	
Mittlere PCIe-Riserkarte	Ein PCIe-Steckplatz (x8-Bandbreite) mit voller Bauhöhe und halber Baulänge
Linke PCIe-Riserkarte	Ein PCIe-Steckplatz (x8-Bandbreite) mit voller Bauhöhe und halber Baulänge
Riser 2	
Linke PCI-X-Riserkarte	Ein Steckplatz mit voller Bauhöhe und halber Baulänge (PCI-X mit 64 Bit, 133 MHz)
Mittlere PCIe-Riserkarte	Ein Steckplatz mit voller Bauhöhe und halber Baulänge (PCIe, x8-Bandbreite)

---

## Speicher

---

Architektur	Bis zu sechs registrierte RDRAM-Speichermodule (DDR2, 677 MHz, ECC)
Speichermodulesockel	6 x 240-polig
Speichermodulekapazitäten	512 MB, 1 GB, 2 GB, 4 GB
RAM (Minimum)	512 MB (ein 512-MB-Modul)
RAM (Maximum)	24 GB

---

## Laufwerke

---

### Festplattenlaufwerke

SATA	Bis zu zwei interne 3,5-Zoll-Laufwerke (optional hot-plug-fähig)
SAS	Bis zu zwei interne 3,5-Zoll-Laufwerke mit optionaler SAS-Controllerkarte (optional hot-plug-fähig)
CD/DVD-Laufwerk	Ein optionales DVD-Laufwerk oder eine CD-RW/DVD-Kombination in einem Laufwerkschacht <b>ANMERKUNG:</b> DVD-Geräte sind reine Datenlaufwerke.
USB-Flash-Laufwerk	Ein optionales Laufwerk, das ein Diskettenlaufwerk oder eine Festplatte emuliert

---

## Anschlüsse

---

### Extern zugänglich

#### Rückseite

Netzwerkadapter	Zwei RJ-45 (für integrierte 1-Gigabit-Netzwerkadapter)
Seriell	9-polig
USB	Zwei 4-polige Anschlüsse, USB 2.0
Bildschirm	VGA, 15-polig

---

**Anschlüsse** *(fortgesetzt)*

---

<b>Vorderseite</b>	
Bildschirm	VGA, 15-polig
USB	Zwei 4-polige Anschlüsse, USB 2.0
<b>Intern zugänglich</b>	
SATA-Kanäle	Drei, 7-polig
USB-Anschluss (für Speicherstick)	Ein 4-poliger Anschluss, USB-2.0-konform

---

**Bildschirm**

---

Grafiktyp	Integrierter ATI ES1000 VGA-Controller
Videospeicher	32 MB ( (min.) – 64 MB (max.) DDR II.

---

**Stromversorgung**

---

**Netzteil (Wechselstrom)**

Leistung	Redundantes 400-W-Netzteil für hot-plug-fähige Festplattenlaufwerke plus redundante Netzteilkonfiguration (Maximalkonfiguration)
Spannung	100-240 VAC, 50/60 Hz
Maximaler Einschaltstrom	Unter typischen Leitungsbedingungen und über den gesamten System-Umgebungs-betriebsbereich kann der Einschaltstrom (über einen Zeitraum von 10 ms oder weniger) 25 A erreichen.
Systembatterie	CR 2032, 3,0-V-Lithium-Ionen-Knopfzelle

---

**Abmessungen und Gewicht**

---

Höhe	4,2 cm
Breite	42,6 cm
<b>Tiefe</b>	
Mit optionaler Blende	69,3 cm
Ohne optionale Blende	66 cm
Gewicht (maximale Konfiguration in kg)	13,45 kg

---

**Umgebungsbedingungen**

---

**ANMERKUNG:** Weitere Informationen zu Umgebungsbedingungen bei verschiedenen Systemkonfigurationen finden Sie unter [www.dell.com/environmental\\_datasheets](http://www.dell.com/environmental_datasheets).

**Temperatur**

Während des Betriebs	10 bis 35 °C
Lagerung	-40 bis 65 °C

**Relative Luftfeuchtigkeit**

Während des Betriebs	20 % bis 80 % (nicht-kondensierend) mit einem Anstieg der Luftfeuchtigkeit von 10 % pro Stunde
Lagerung	5 bis 95 % (nicht kondensierend)

**Zulässige Erschütterung**

Während des Betriebs	0,26 g Effektivbeschleunigung (GRMS) bei 5-350 Hz, 15 min lang
Lagerung	1,54 g Effektivbeschleunigung (GRMS) bei 10-250 Hz, 15 min lang

---

## Umgebungsbedingungen *(fortgesetzt)*

---

### Zulässige Stoßeinwirkung

Während des Betriebs	Ein Stoß von 31 G in der positiven z-Achse (ein Stoß auf jeder Seite des Systems) über einen Zeitraum von bis zu 2,6 ms
Lagerung	Sechs hintereinander ausgeführte Stöße mit 71 G von bis zu 2 ms Dauer in positiver und negativer X-, Y- und Z-Richtung (ein Stoß auf jeder Seite des Systems)

### Höhe über NN

Während des Betriebs	-16 bis 3 048 m <b>ANMERKUNG:</b> Bei Höhen über 900 Meter verringert sich die maximale Betriebstemperatur um 1 °C/93 m.
Lagerung	-16 bis 10600 m

### Luftverschmutzungsklasse

Klasse	G2 oder niedriger gemäß ISA-S71.04-1985
--------	---



Dell™ PowerEdge™

Συστήματα R300

Τα πρώτα βήματα  
με το σύστημά σας



# Σημειώσεις, ειδοποιήσεις και προσοχές



**ΣΗΜΕΙΩΣΗ:** Η ένδειξη ΣΗΜΕΙΩΣΗ υποδεικνύει σημαντικές πληροφορίες που σας βοηθούν να χρησιμοποιήσετε πιο σωστά τον υπολογιστή σας.



**ΕΙΔΟΠΟΙΗΣΗ:** Η ένδειξη ΕΙΔΟΠΟΙΗΣΗ υποδεικνύει είτε πιθανή βλάβη του υλικού είτε απώλεια δεδομένων και σας πληροφορεί πώς να αποφύγετε το πρόβλημα.



**ΠΡΟΣΟΧΗ:** Η ένδειξη ΠΡΟΣΟΧΗ υποδεικνύει την πιθανότητα υλικής ζημιάς, προσωπικού τραυματισμού ή θανάτου.

---

**Οι πληροφορίες που περιέχονται στο παρόν έγγραφο ενδέχεται να αλλάξουν χωρίς προηγούμενη ειδοποίηση.**

© 2007 Dell Inc. Με επιφύλαξη όλων των δικαιωμάτων.

Απαγορεύεται αυστηρώς η αναπαραγωγή με οποιονδήποτε τρόπο χωρίς την έγγραφη άδεια της Dell Inc.

Εμπορικά σήματα που χρησιμοποιούνται σε αυτό το κείμενο: Η ονομασία *Dell*, το λογότυπο *DELL* και η ονομασία *PowerEdge* είναι εμπορικά σήματα της Dell Inc. Οι ονομασίες *Intel*, *Pentium*, *Celeron* και *Xeon* είναι σήματα κατατεθέντα και η ονομασία *Core* είναι εμπορικό σήμα της Intel Corporation στις Ηνωμένες Πολιτείες και σε άλλες χώρες. Οι ονομασίες *Microsoft*, *Windows* και *Windows Server* είναι εμπορικά σήματα ή σήματα κατατεθέντα της Microsoft Corporation στις Ηνωμένες Πολιτείες ή/και σε άλλες χώρες. Οι ονομασίες *Red Hat* και *Enterprise Linux* είναι σήματα κατατεθέντα της Red Hat Inc. Η ονομασία *SUSE* είναι σήμα κατατεθέν της Novell Inc.

Στο παρόν έγγραφο ενδέχεται να χρησιμοποιούνται άλλα εμπορικά σήματα και εμπορικές ονομασίες για αναφορά στις οντότητες που διεκδικούν τα σήματα και τις ονομασίες ή για αναφορά στα προϊόντα τους. Η Dell Inc. αποποιείται οποιοδήποτε πιθανό συμφέρον ιδιοκτησίας από εμπορικά σήματα και εμπορικές ονομασίες εκτός από αυτά που έχει στην κατοχή της.

Πρότυπο SMT

Δεκέμβριος 2007

P/N HR210

Αναθ. A00



# Χαρακτηριστικά συστήματος

Τα κύρια χαρακτηριστικά λογισμικού και υλικού του συστήματός σας περιλαμβάνουν:

- Πλαίσιο 1U/1S που μπορεί να τοποθετηθεί σε ράφι με στήριγμα για στατικές και ολισθαίνουσες ράβδους ολίσθησης.
  - **ΣΗΜΕΙΩΣΗ:** Χρησιμοποιήστε το πρόγραμμα Εγκατάστασης Συστήματος για να προβάλλετε πληροφορίες για τον επεξεργαστή. Ανατρέξτε στην ενότητα «Χρήση του Προγράμματος εγκατάστασης συστήματος» στο *Εγχειρίδιο κατόχου υλικού*.
- Έναν από τους παρακάτω επεξεργαστές:
  - Επεξεργαστή Intel® Celeron® 445 μονού πυρήνα
  - Επεξεργαστή διπλού πυρήνα Intel Core™2 Duo E6305 ή E6405
  - Επεξεργαστή τετραπλού πυρήνα Intel Xeon® X3323, X3353, ή X3363
- Τουλάχιστον 512 MB σε καταχωρισμένες μονάδες μνήμης 667 MHz DDR2 με ECC, απλής ή διπλής σειράς, με δυνατότητα αναβάθμισης σε 24 GB το μέγιστο, με εγκατάσταση συνδυασμών μονάδων μνήμης των 512 MB, 1 GB, 2 GB ή 4 GB στις έξι υποδοχές μονάδων μνήμης επάνω στην πλακέτα του συστήματος.
- Μία από τις παρακάτω επιλογές κάρτας ανόδου δικτύου:
  - Δύο κάρτες ανόδου δικτύου (κάρτες ανόδου δικτύου στα αριστερά και στο κέντρο), καθεμία από τις οποίες παρέχει μια μακρόστενη υποδοχή επέκτασης PCI-Express μήκους x8.  
Ή
    - Μία κάρτα ανόδου δικτύου (κεντρική κάρτα ανόδου δικτύου), που παρέχει μια μακρόστενη υποδοχή επέκτασης x8 PCI-Express.
    - Μία κάρτα ανόδου δικτύου (κάρτα ανόδου δικτύου στα αριστερά) που παρέχει μία υποδοχή επέκτασης 3,3 V, 64 bit 133MHz PCI-X.
- Μία μονάδα DVD 12,7 mm ή μονάδα συνδυασμού CD-RW/DVD σε φατνίο μονάδας συσκευής.

- Υποστήριξη για τις ακόλουθες διαμορφώσεις εσωτερικών σκληρών δίσκων:
  - Έως και δύο εσωτερικούς σκληρούς δίσκους SATA των 3,5 ιντσών με προαιρετική κάρτα ελεγκτή SAS (διαθέσιμη η επιλογή θερμής σύνδεσης).
  - Έως και δύο εσωτερικούς σκληρούς δίσκους σειριακής σύνδεσης SCSI (SAS) των 3,5 ιντσών με προαιρετική κάρτα ελεγκτή SAS (διαθέσιμη η επιλογή θερμής σύνδεσης).
- Προαιρετικό ελεγκτή απομακρυσμένης πρόσβασης για απομακρυσμένη διαχείριση συστημάτων, ο οποίος είναι εγκατεστημένος στην αποκλειστική υποδοχή της πλακέτας του συστήματος.
- Προαιρετική μονάδα flash USB, η οποία προσομοιώνει μια μονάδα δισκέτα ή μονάδα σκληρού δίσκου.
- Μία παροχή τροφοδοσίας 400 W (διατίθεται προαιρετική εφεδρική τροφοδοσία).
- Δύο ενσωματωμένες προσαρμογείς δικτύου Gigabit Ethernet, με δυνατότητα υποστήριξης ταχυτήτων δεδομένων της τάξης των 10 Mbps, 100 Mbps και 1.000 Mbps με υποστήριξη για Wake-on-LAN.
- Μια κάρτα ελεγκτή απομακρυσμένης πρόσβασης Dell (DRAC5), η οποία παρέχει απομακρυσμένη διαχείριση συστήματος, επαναφορά συστήματος που έχει καταρρεύσει και λειτουργίες ελέγχου ενέργειας για τα Dell PowerEdge.
- Ένα ενσωματωμένο υποσύστημα οθόνης συμβατό με VGA με ελεγκτή οθόνης ATI ES1000, 33 MHz PCI. Αυτό το υποσύστημα οθόνης περιέχει κατ'ελάχιστον 32MB μνήμης οθόνης με υποστήριξη για δισδιάστατα γραφικά. Η μέγιστη ανάλυση είναι 1600 x 1200 με 65.536 χρώματα. Τα γραφικά με πραγματικά χρώματα υποστηρίζονται για τις ακόλουθες αναλύσεις: 640 x 480, 800 x 600, 1024 x 768, 1280 x 1024. Όταν είναι εγκατεστημένη η προαιρετική κάρτα απομακρυσμένης διαχείρισης, η μέγιστη ανάλυση οθόνης είναι 1280 x 1024.
- Μονάδες ανεμιστήρων, καθεμία από τις οποίες αποτελείται από δύο ανεμιστήρες με διπλό ρότορα που βρίσκονται στο μπροστινό μέρος του επεξεργαστή και της μνήμης.

- Μονάδες ανεμιστήρων που αποτελούνται από δύο ανεμιστήρες με διπλό ρότορα που βρίσκονται στο μπροστινό μέρος του PSU. Οι ανεμιστήρες αυτοί χρησιμοποιούνται για τα δύο εφεδρικά PSU (διαμόρφωση με μονάδες σκληρού δίσκου θερμής σύνδεσης και με εφεδρικό PSU).
- Σειριακός συζευκτήρας για υποστήριξη ανακατεύθυνσης κονσόλας.
- Δυνατότητες ασφάλειας, συμπεριλαμβανομένης της ανίχνευσης διείσδυσης στο πλαίσιο και ασφάλεια κλειδιού στην προαιρετική πρόσοψη μονάδας.
- Ενσωματωμένη Trusted Platform Module (TPM), έκδοση 1.2, η οποία χρησιμοποιείται για εφαρμογές ασφαλείας, με δυνατότητα δημιουργίας και αποθήκευσης κλειδιών καθώς και δυνατότητα αποθήκευσης κωδικών και ψηφιακών πιστοποιητικών (μη διαθέσιμη στην Κίνα).
- Λογισμικό/ομάδα ηλεκτρικών κυκλωμάτων για τη διαχείριση συστημάτων, η οποία παρακολουθεί τις κρίσιμες τάσεις και θερμοκρασίες του συστήματος.
- Οι συζευκτήρες του πίσω μέρους περιλαμβάνουν συζευκτήρα οθόνης, σειριακό συζευκτήρα, δύο συζευκτήρες USB και δύο συζευκτήρες προσαρμογέων δικτύου.
- Οι συζευκτήρες του εμπρός μέρους περιλαμβάνουν ένα συζευκτήρα VGA και δύο συζευκτήρες USB.
- Έναν εσωτερικό συζευκτήρα USB για κλειδί μνήμης εκκίνησης.
- Μπροστινό πλαίσιο 1x5 LCD για την ταυτότητα συστήματος και μηνύματα σφαλμάτων.

Για περισσότερες πληροφορίες σχετικά με συγκεκριμένα χαρακτηριστικά, ανατρέξτε στην ενότητα «Τεχνικές προδιαγραφές» στη σελίδα 72.

Με το σύστημά σας περιλαμβάνεται το παρακάτω λογισμικό:

- Ένα πρόγραμμα Εγκατάστασης συστήματος για προβολή και πληροφορίες για τη μεταβολή της διαμόρφωσης του συστήματος. Για περισσότερες πληροφορίες, ανατρέξτε στην ενότητα «Χρήση του Προγράμματος εγκατάστασης συστήματος» στο *Εγχειρίδιο κατόχου υλικού*.

- Βελτιωμένα χαρακτηριστικά ασφάλειας, συμπεριλαμβανομένου ενός κωδικού πρόσβασης στο σύστημα και ενός κωδικού για την εγκατάσταση, τα οποία είναι διαθέσιμα μέσω του προγράμματος Εγκατάσταση συστήματος.
- Προγράμματα οδήγησης οθόνης για την προβολή προγραμμάτων σε τρόπους λειτουργίας υψηλής ανάλυσης.

CD λογισμικού και τεκμηρίωσης για τη διαχείριση συστημάτων.

## Λειτουργικά συστήματα που υποστηρίζονται

- Microsoft® Windows Server® 2008, εκδόσεις Web, Standard και Enterprise (32 bit x86) *(όταν υπάρχουν διαθέσιμες)*
- Microsoft Windows Server 2008, εκδόσεις Web, Standard, Small Business Server (Premium και Standard) και Enterprise (x64) *(όταν υπάρχουν διαθέσιμες)*
- Microsoft Windows Server 2003, εκδόσεις Web, Standard, Small Business Server (Premium και Standard) και Enterprise (32-bit x86) (SP1 και SP2)
- Microsoft Windows Server 2003, εκδόσεις Standard και Enterprise (x64)
- Microsoft Windows Server 2003 R2, εκδόσεις Standard, Small Business Server (Premium και Standard) και Enterprise (32-bit x86)
- Microsoft Windows Server 2003 R2, εκδόσεις Standard και Enterprise (x64)
- Red Hat® Enterprise Linux® ES (εκδόσεις 4 και 5) (x86\_32)
- Red Hat Enterprise Linux ES (εκδόσεις 4 και 5) (x86\_64)
- SUSE® Linux Enterprise Server 9 (SP4 ή μεταγενέστερο) (x86\_64)
- SUSE Linux Enterprise Server 10 (x86\_64)



**ΣΗΜΕΙΩΣΗ:** Για τις πιο πρόσφατες πληροφορίες σχετικά με τα λειτουργικά συστήματα που υποστηρίζονται, επισκεφτείτε τη διεύθυνση [www.dell.com](http://www.dell.com).

## Άλλες πληροφορίες που ενδέχεται να χρειαστείτε



**ΠΡΟΣΟΧΗ:** Ο *Οδηγός Πληροφοριών Προϊόντος* παρέχει σημαντικές πληροφορίες για την ασφάλεια και τους ρυθμιστικούς κανόνες. Οι πληροφορίες για την εγγύηση ενδέχεται να συμπεριλαμβάνονται μέσα σε αυτό το έγγραφο ή ως ξεχωριστό έγγραφο.

- Ο *Οδηγός εγκατάστασης σε ράφι* ή οι *Οδηγίες εγκατάστασης σε ράφι* που συνοδεύουν τη δική σας λύση σε ράφι περιγράφουν τον τρόπο εγκατάστασης του συστήματός σας σε ράφι.
- Ο *Οδηγός «Τα Πρώτα Βήματα»* προσφέρει μια επισκόπηση σχετικά με τις δυνατότητες του συστήματος, τη ρύθμιση του συστήματός σας και τις τεχνικές προδιαγραφές.
- Το *Εγχειρίδιο κατόχου υλικού* παρέχει πληροφορίες σχετικά με τα χαρακτηριστικά του συστήματος και περιγράφει την αντιμετώπιση προβλημάτων του συστήματός σας και την εγκατάσταση ή την αντικατάσταση συστατικών στοιχείων του συστήματος.
- Τα CD που συνοδεύουν το σύστημά σας παρέχουν τεκμηρίωση και εργαλεία για τη ρύθμιση παραμέτρων και τη διαχείριση του συστήματός σας.
- Η τεκμηρίωση του λογισμικού διαχείρισης συστημάτων περιγράφει τα χαρακτηριστικά, τις απαιτήσεις, την εγκατάσταση και τη βασική λειτουργία του λογισμικού.
- Η τεκμηρίωση του λειτουργικού συστήματος περιγράφει τον τρόπο εγκατάστασης (εάν είναι απαραίτητο), διαμόρφωσης και χρήσης του λογισμικού του λειτουργικού συστήματος.
- Η τεκμηρίωση για συστατικά στοιχεία που τυχόν αγοράσατε ξεχωριστά παρέχει πληροφορίες για τη ρύθμιση παραμέτρων και την εγκατάσταση αυτών των επιλογών.

- Μερικές φορές παρέχονται ενημερωμένες εκδόσεις μαζί με το σύστημα, για να περιγράψουν αλλαγές στο σύστημα, το λογισμικό ή/και την τεκμηρίωση.
  - ✍ **ΣΗΜΕΙΩΣΗ:** Ελέγχετε πάντοτε για ενημερωμένες εκδόσεις στην τοποθεσία **support.dell.com** και να διαβάζετε πρώτα τις ενημερωμένες εκδόσεις επειδή πολύ συχνά καθιστούν ξεπερασμένες τις πληροφορίες άλλων εγγράφων.
- Σημειώσεις έκδοσης ή αρχεία readme ενδέχεται να περιλαμβάνονται για να παρέχουν τις τελευταίες ενημερώσεις για το σύστημα, όπως επίσης τεκμηρίωση ή προχωρημένο υλικό αναφοράς για τεχνικά θέματα που προορίζονται για έμπειρους χρήστες ή τεχνικούς.

## Λήψη τεχνικής βοήθειας


Εάν δεν κατανοείτε μια διαδικασία του οδηγού αυτού ή αν το σύστημα δεν λειτουργεί με τον αναμενόμενο τρόπο, ανατρέξτε στο *Εγχειρίδιο κατόχου υλικού*.


Είναι διαθέσιμη η Επιχειρηματική εκπαίδευση και πιστοποίηση της Dell.

Για περισσότερες πληροφορίες, ανατρέξτε στη διεύθυνση [www.dell.com/training](http://www.dell.com/training).

Η υπηρεσία αυτή ενδέχεται να μην προσφέρεται σε όλες τις τοποθεσίες.

## Εγκατάσταση και ρύθμιση παραμέτρων

 **ΠΡΟΣΟΧΗ:** Προτού πραγματοποιήσετε την παρακάτω διαδικασία, διαβάστε και ακολουθήστε τις οδηγίες ασφαλείας και τους σημαντικούς ρυθμιστικούς κανόνες στον *Οδηγό Πληροφοριών Προϊόντος*.

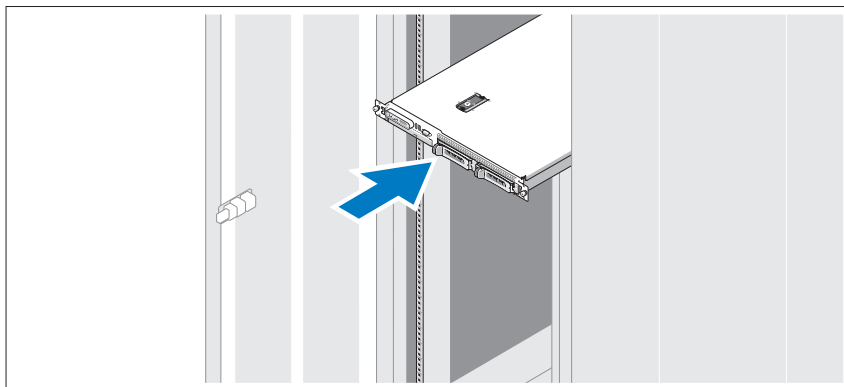
 **ΠΡΟΣΟΧΗ:** Όποτε παραστεί η ανάγκη να σηκώσετε το σύστημα, ζητήστε από άλλους να σας βοηθήσουν. Για να αποφύγετε πιθανό τραυματισμό, μην επιχειρήσετε να σηκώσετε μόνος σας το σύστημα.

Η ενότητα αυτή περιγράφει τα βήματα για την αρχική ρύθμιση των παραμέτρων του συστήματός σας.

## Άνοιγμα της συσκευασίας του συστήματος

Ανοίξτε τη συσκευασία του συστήματός σας και αναγνωρίστε κάθε αντικείμενο. Φυλάξτε όλα τα υλικά που σας αποστάλθηκαν για την περίπτωση που θα τα χρειαστείτε αργότερα.

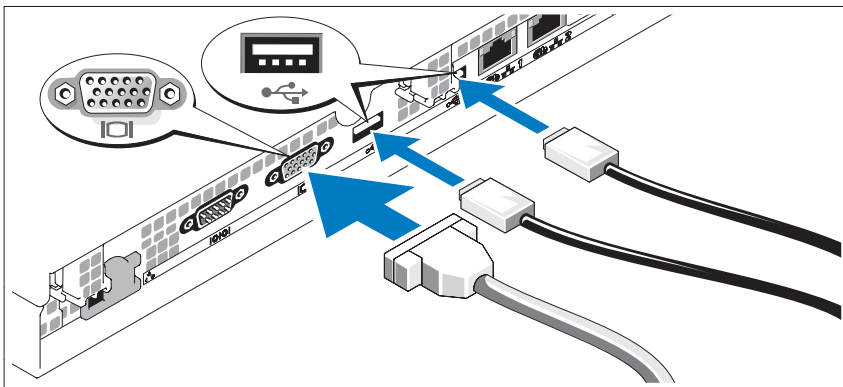
## Τοποθέτηση των ραγών και του συστήματος σε ράφι



Τοποθετήστε το σύστημα σε ράφι αφού ολοκληρώσετε την ανάγνωση των «Οδηγιών ασφαλείας» που βρίσκονται στην τεκμηρίωση εγκατάστασης σε ράφι για το σύστημά σας.

Για οδηγίες σχετικά με την εγκατάσταση του συστήματός σας σε ράφι, ανατρέξτε στην τεκμηρίωση εγκατάστασης σε ράφι. Για οδηγίες σχετικά με την τροφοδοσία και την ψύξη, ανατρέξτε στο εργαλείο σχεδιασμού χωρητικότητας ραφιού στη διεύθυνση [www.dell.com](http://www.dell.com).

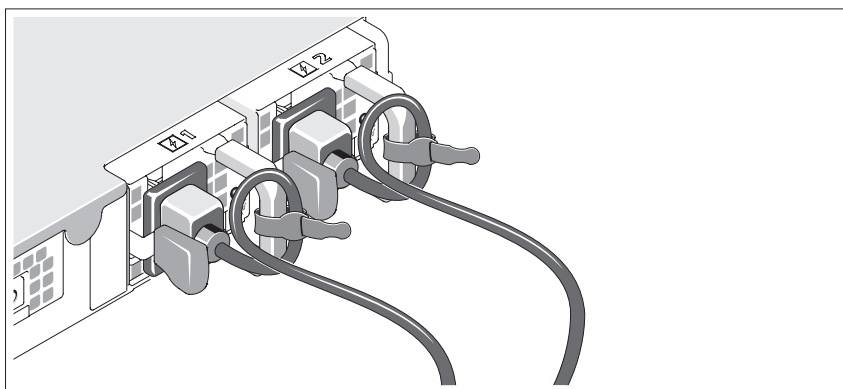
## Σύνδεση πληκτρολογίου, ποντικιού και οθόνης



Συνδέστε το πληκτρολόγιο, το ποντίκι και την οθόνη (προαιρετικά).

Οι συσκευές στο πίσω μέρος του συστήματος έχουν εικονίδια τα οποία υποδεικνύουν το καλώδιο που συνδέεται σε κάθε συσκευή. Πρέπει να σφίξετε τις βίδες (εάν υπάρχουν) στο συσκευήρα καλωδίου της οθόνης.

## Σύνδεση της τροφοδοσίας

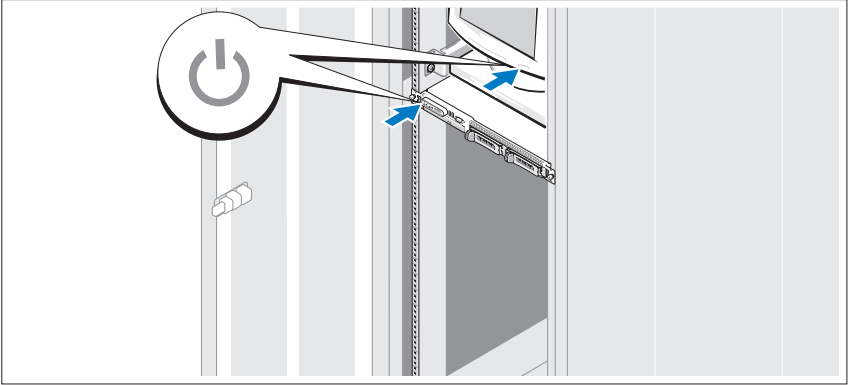


Συνδέστε το(τα) καλώδιο(-α) παροχής ηλεκτρικού ρεύματος στο σύστημα (στο σχήμα απεικονίζεται ένα εφεδρικό σύστημα). Για εφεδρικά συστήματα, ασφαλίστε τα καλώδια με τις δύο λωρίδες Velcro που συνόδευαν το σύστημά σας, όπως φαίνεται. Για μη εφεδρικά συστήματα, συνδέστε το στήριγμα συγκράτησης του καλωδίου τροφοδοσίας που συνόδευε το σύστημά σας.



Τοποθετήστε την άλλη άκρη του καλωδίου σε γειωμένο ρευματοδότη ή σε ξεχωριστή πηγή ηλεκτρικού ρεύματος, όπως είναι ένα σύστημα αδιάλειπτης τροφοδοσίας (UPS) ή μια μονάδα διανομής ρεύματος (PDU).

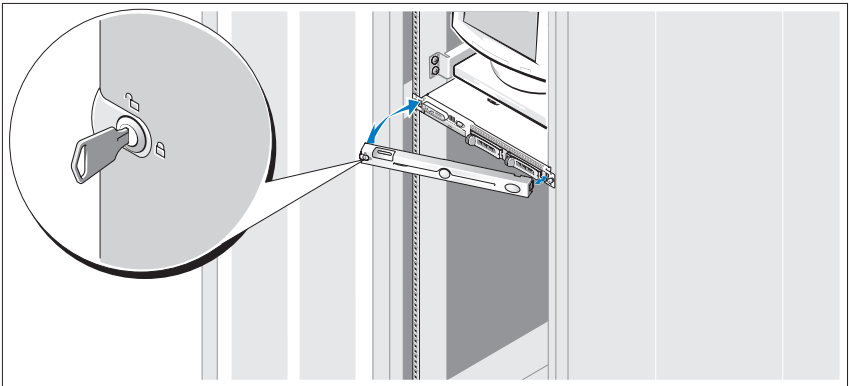
## Ενεργοποίηση του συστήματος



Ενεργοποιήστε το σύστημα και την οθόνη (προαιρετικά).

Πιέστε το κουμπί λειτουργίας στο σύστημα και την οθόνη. Θα πρέπει να ανάψουν οι ενδείξεις λειτουργίας. Ρυθμίστε τα κουμπιά ελέγχου της οθόνης ώσπου η εικόνα που εμφανίζεται να σας ικανοποιεί.

## Τοποθέτηση της πρόσοψης μονάδας



Τοποθετήστε την πρόσοψη της μονάδας (προαιρετικά).

# Ολοκλήρωση της εγκατάστασης του λειτουργικού συστήματος

Εάν έχετε αγοράσει ένα προεγκατεστημένο λειτουργικό σύστημα, ανατρέξτε στην τεκμηρίωση του λειτουργικού συστήματος που συνοδεύει το σύστημά σας. Για να εγκαταστήσετε ένα λειτουργικό σύστημα για πρώτη φορά, ανατρέξτε στον *Οδηγό γρήγορης εγκατάστασης*. Βεβαιωθείτε ότι το λειτουργικό σύστημα είναι εγκατεστημένο, πριν να εγκαταστήσετε υλικό ή λογισμικό που δεν έχετε αγοράσει μαζί με το σύστημα.

## Τεχνικές προδιαγραφές

---

### Επεξεργαστής

---

Τύπος επεξεργαστή

Επεξεργαστής Intel® Celeron® 445 μονού πυρήνα

ή

Επεξεργαστής Intel Core™2 Duo διπλού πυρήνα της σειράς E6305 ή E6405

ή

Επεξεργαστής Intel Xeon® τετραπλού πυρήνα της σειράς X3323, X3353 ή X3363

---

### Δίαυλοι επέκτασης

---

Τύπος διαύλου

PCI-X, PCIe

### Υποδοχές επέκτασης – Δύο προαιρετικές κάρτες ανόδου δικτύου

Κάρτα ανόδου δικτύου 1

Κεντρική κάρτα ανόδου δικτύου PCIe

Μία υποδοχή PCIe πλήρους ύψους, μισού μήκους x8

Κάρτα κάρτα ανόδου δικτύου PCIe στα αριστερά

Μία υποδοχή PCIe πλήρους ύψους, μισού μήκους x8

---

## Δίαυλοι επέκτασης (Συνέχεια)

---

### Κάρτα ανόδου δικτύου 2

Κάρτα ανόδου δικτύου PCI-X στα αριστερά	Μία πλήρους ύψους, μισού μήκους, υποδοχή PCI-X 64 bit, 133 MHz
Κεντρική κάρτα ανόδου δικτύου PCIe	Μία υποδοχή PCIe πλήρους ύψους, μισού μήκους x8

---

## Μνήμη

---

Αρχιτεκτονική	Έως και έξι καταχωρισμένες μονάδες μνήμης DDR2 677 MHz RDRAM με ECC
Υποδοχές μονάδων μνήμης	Έξι των 240 ακίδων
Χωρητικότητες μονάδων μνήμης	512 MB, 1 GB, 2 GB, 4 GB
Ελάχιστη μνήμη RAM	512 MB (μία μονάδα των 512 MB)
Μέγιστη μνήμη RAM	24 GB

---

## Μονάδες

---

### Μονάδες σκληρού δίσκου

SATA	Έως δύο εσωτερικές των 3,5 ιντσών (προαιρετικά για θερμή σύνδεση)
SAS	Έως δύο εσωτερικές των 3,5 ιντσών με προαιρετική κάρτα ελεγκτή SAS (προαιρετικά για θερμή σύνδεση)
Μονάδα CD/DVD	Μία προαιρετική μονάδα DVD ή μονάδα συνδυασμού CD-RW/DVD σε φατνίο μονάδας συσκευής <b>ΣΗΜΕΙΩΣΗ:</b> Οι μονάδες δίσκου DVD είναι μόνο για δεδομένα.
Μονάδα flash USB	Προαιρετική μονάδα, η οποία προσομοιώνει μια μονάδα δισκέτα ή μονάδα σκληρού δίσκου

---

## Συζευκτήρες

---

### Εξωτερικής πρόσβασης

#### Πίσω

Προσαρμογέας δικτύου	Δύο RJ-45 (για ενσωματωμένους προσαρμογείς δικτύου 1 Gigabit)
Σειριακή	9 ακίδων
USB	Δύο 4 ακίδων, συμβατές με USB 2.0
Οθόνη	VGA 15 ακίδων

#### Εμπρός

Οθόνη	VGA 15 ακίδων
USB	Δύο 4 ακίδων, συμβατές με USB 2.0

### Εσωτερικής πρόσβασης

Κανάλια SATA	Τρία 7 ακίδων
Κλειδί USB (για κλειδί μνήμης)	Ένα 4 ακίδων, συμβατό με USB 2.0

---

## Οθόνη

---

Τύπος οθόνης	Ενσωματωμένος ελεγκτής VGA ATI ES1000
Μνήμη οθόνης	32 MB (Ελάχ.) - 64 MB (Μέγ.) DDR II

---

## Τροφοδοσία

---

### Παροχή τροφοδοσίας AC

Ηλεκτρική ισχύς σε Watt	Εφεδρικό PSU 400 W για μονάδες σκληρού δίσκου θερμής σύνδεσης συν εφεδρική διαμόρφωση PSU (μέγιστη διαμόρφωση)
Τάση	100–240 V AC, 50/60 Hz
Μέγιστο ρεύμα εισροής	Κάτω από τυπικές συνθήκες γραμμής και πάνω από την περιοχή λειτουργίας περιβάλλοντος ολόκληρου του συστήματος, το ρεύμα εισροής μπορεί να αγγίζει τα 55 A ανά παροχή τροφοδοσίας για 10 ms ή λιγότερο
Μπαταρία συστήματος	CR 2032 3,0 V ιόντος λιθίου με κεραμοειδή στοιχεία

---

### Φυσικά χαρακτηριστικά

---

Ύψος	4,2 εκ. (1,67 ίντσες)
Μήκος	42,6 εκ. (16,78 ίντσες)
<b>Πλάτος</b>	
Με προαιρετική πρόσοψη μονάδας	69,3 εκ. (27,29 ίντσες)
Χωρίς προαιρετική πρόσοψη μονάδας	66 εκ. (26 ίντσες)
Βάρος (μέγιστη διαμόρφωση, σε κιλά)	13,45 κιλά (29,6 λίβρες)

---

## Χαρακτηριστικά περιβάλλοντος

---

**ΣΗΜΕΙΩΣΗ:** Για επιπλέον πληροφορίες σχετικά με τις περιβαλλοντικές μετρήσεις για συγκεκριμένες διαμορφώσεις συστήματος, επισκεφτείτε τη διεύθυνση [www.dell.com/environmental\\_datasheets](http://www.dell.com/environmental_datasheets).

### Θερμοκρασία

Λειτουργίας	10° έως 35°C (50° έως 95°F)
Αποθήκευσης	-40° έως 65°C (-40° έως 149°F)

### Σχετική υγρασία

Λειτουργίας	20% έως 80% (χωρίς συμπύκνωση) με μέγιστη βαθμίδα υγρασίας 10% ανά ώρα
Αποθήκευσης	5% έως 95% (χωρίς συμπύκνωση)

### Μέγιστη ταλάντευση

Λειτουργίας	0,26 Grms σε 5–350 Hz επί 15 λεπτά
Αποθήκευσης	1,54 Grms σε 10–250 Hz επί 15 λεπτά

### Μέγιστη δόνηση

Λειτουργίας	Ένας παλμός δόνησης στο θετικό τμήμα του άξονα z (ένας παλμός στην κάθε πλευρά του συστήματος) των 31 G για έως και 2,6 ms
Αποθήκευσης	Έξι διαδοχικά εκτελεσμένοι παλμοί δόνησης στο θετικό και αρνητικό τμήμα των αξόνων x, y και z (ένας παλμός στην κάθε πλευρά του συστήματος) των 71 G για έως και 2 ms

### Υψόμετρο

Λειτουργίας	-16 έως 3.048 μέτρα (-50 έως 10.000 πόδια) <b>ΣΗΜΕΙΩΣΗ:</b> Για υψόμετρο άνω των 900 μέτρων, η μέγιστη θερμοκρασία λειτουργίας ελαττώνεται ονομαστικά κατά 1°C/93 μέτρα.
Αποθήκευσης	-16 έως 10.600 μέτρα (-50 έως 35.000 πόδια)

### Επίπεδα ρύπων στην ατμόσφαιρα

Κατηγορία	G2 ή χαμηλότερη, όπως ορίζεται από το πρότυπο ISA-S71.04-1985
-----------	---

Dell™ PowerEdge™  
Systemy R300

# Rozpoczęcie pracy z systemem



# Uwagi, ostrzeżenia i przestrogi



**UWAGA:** UWAGA oznacza ważną wiadomość, która pomoże lepiej wykorzystać komputer.



**OSTRZEŻENIE:** OSTRZEŻENIE wskazuje na możliwość uszkodzenia sprzętu lub utraty danych i informuje o sposobie uniknięcia problemu.



**PRZESTROGA:** PRZESTROGA wskazuje na możliwość zaistnienia sytuacji niebezpiecznej, której skutkiem mogą być uszkodzenia sprzętu, obrażenia ciała lub śmierć.

---

**Informacje zawarte w tym dokumencie mogą ulec zmianie bez powiadomienia.  
© 2007 Dell Inc. Wszelkie prawa zastrzeżone.**

Zabrania się powielania w jakiegokolwiek postaci bez pisemnej zgody firmy Dell Inc.

Znaki towarowe użyte w tym tekście: *Dell*, logo *DELL* i *PowerEdge* są znakami towarowymi firmy Dell Inc.; *Intel*, *Pentium*, *Celeron* i *Xeon* są zarejestrowanymi znakami towarowymi a *Core* jest znakiem towarowym firmy Intel Corporation w Stanach Zjednoczonych i w innych krajach; *Microsoft*, *Windows* i *Windows Server* są znakami towarowymi lub zarejestrowanymi znakami towarowymi firmy Microsoft Corporation w Stanach Zjednoczonych i/lub innych krajach; *Red Hat* i *Enterprise Linux* są zarejestrowanymi znakami towarowymi firmy Red Hat Inc.; *SUSE* jest zarejestrowanym znakiem towarowym firmy Novell Inc.

Inne znaki towarowe i nazwy handlowe mogą być w tym dokumencie używane na określenie podmiotów deklarujących, że są ich właścicielami, oraz na określenie produktów tych podmiotów. Firma Dell Inc. nie rości sobie praw własności do znaków towarowych i nazw handlowych innych niż własne.

**Model SMT**

**Grudzień 2007**

**P/N HR210**

**Wersja A00**



# Funkcje systemu

Sprzęt i funkcje oprogramowania zainstalowane w zestawie komputerowym:

- Obudowa montowana w stelażu 1U/1S z podporą na szyny statyczne i wysuwane.
  - ✎ **UWAGA:** Informacje dotyczące procesora można znaleźć używając programu konfiguracji systemu. Patrz: „Korzystanie z programu konfiguracji systemu” w *Podręczniku użytkownika sprzętu*.
- Jeden z procesorów:
  - Jednordzeniowy procesor Intel® Celeron® 445
  - Dwurdzeniowy procesor Intel Core™2 Duo E6305 lub E6405
  - Czterordzeniowy procesor Intel Xeon® X3323, X3353 lub X3363
- Jedno- lub dwuszeregowy moduły pamięci DDR2 o minimalnej pojemności 512 MB i częstotliwości 667 MHz z ECC, z możliwością rozszerzenia do pojemności maksymalnie 24 GB poprzez zainstalowanie modułów 512 MB, 1 GB, 2 GB lub 4 GB w sześciu gniazdach modułów pamięci na płycie systemowej.
- Jedna z opcji instalowania karty nośnej:
  - Dwie karty nośne (lewa i środkowa), każda z gniazdem rozszerzenia PCI Express na kartę x8  
lub
  - Jedna karta nośna (środkowa) z gniazdem rozszerzenia PCI Express na kartę x8
  - Jedna karta nośna (lewa) z gniazdem rozszerzenia PCI-X na 64-bitową kartę o napięciu 3,3 V i częstotliwości 133 MHz
- Jeden napęd DVD 12,7 mm lub napęd typu kombo CD-RW/DVD we wnęce na napęd.

- Obsługa następujących konfiguracji wewnętrznych dysków twardych:
  - Do dwóch 3,5-calowych, wewnętrznych dysków twardych SATA z opcjonalną kartą kontrolera SAS (dostępna opcja podłączenia podczas pracy urządzenia).
  - Do dwóch 3,5-calowych, wewnętrznych dysków twardych podłączanych szeregowo z opcjonalną kartą kontrolera SCSI (dostępna opcja podłączenia podczas pracy urządzenia).
- Opcjonalny kontroler zdalnego dostępu do zdalnego zarządzania systemami, zainstalowany w przeznaczonym do tego gnieździe na płycie systemowej.
- Opcjonalny napęd USB typu flash emuluje napęd dyskietek lub dysk twardy.
- Jeden zasilacz o mocy 400 W (dostępny opcjonalny zasilacz nadmiarowy).
- Dwie zintegrowane karty sieciowe Gigabit Ethernet o prędkości transmisji 10 Mb/s, 100 Mb/s i 1000 Mb/s obsługująca Wake-on-LAN.
- Karta kontrolera zdalnego dostępu (DRAC5 - Dell Remote Access Controller Card), która zapewnia zdalne zarządzanie systemem, regenerację po awarii systemu i funkcje sterowania zasilaniem dla Dell PowerEdge.
- Zintegrowany podsystem kompatybilny z grafiką VGA, z kontrolerem grafiki ATI ES1000 PCI o częstotliwości 33 MHz. Podsystem grafiki ma min. 32 MB pamięci na operacje graficzne z obsługą grafiki dwuwymiarowej (2D). Maksymalna rozdzielczość wynosi 1600 x 1200 z 65 536 kolorami; grafika w kolorach rzeczywistych jest obsługiwana przy następujących rozdzielczościach: 640 x 480, 800 x 600, 1024 x 768, 1280 x 1024. Jeśli zainstalowana jest opcjonalna karta zdalnego dostępu, maksymalna rozdzielczość grafiki wynosi 1280 x 1024.
- Moduły wentylatorów, każdy składający się z dwóch wentylatorów dwuwirnikowych znajdujących się z przodu procesora i pamięci.
- Moduły wentylatorów, każdy składający się z dwóch wentylatorów dwuwirnikowych znajdujących się z przodu zasilacza. Te wentylatory są wykorzystywane przez dwa nadmiarowe zasilacze (dyski twarde podłączane podczas pracy urządzenia i nadmiarowa konfiguracja zasilacza).

- Szeregowe złącze do obsługi przekierowania konsoli.
- Funkcje zabezpieczeń, w tym wykrywanie naruszenia obudowy oraz blokada na zamek na opcjonalnej osłonie.
- Zintegrowany moduł TPM (Trusted Platform Module) w wersji 1.2 wykorzystywany w celu zabezpieczenia danych, służący do generowania i przechowywania kluczy kryptograficznych oraz haseł i certyfikatów cyfrowych (nieдоступny w Chinach).
- Obwód/oprogramowanie zarządzania systemami monitorujący krytyczne napięcia w systemie i temperatury.
- Złącza umieszczone na panelu tylnym obejmują jedno złącze karty grafiki, jedno złącze szeregowe, dwa złącza USB i dwa złącza karty sieciowej.
- Złącza umieszczone na panelu przednim obejmują jedno VGA i dwa złącza USB.
- Jedno wewnętrzne złącze USB jest przeznaczone dla klucza pamięci.
- 1x5 diod LCD na panelu przednim dla identyfikatora (ID) systemu i komunikatów o błędach.

Więcej informacji o poszczególnych funkcjach można znaleźć w sekcji „Parametry techniczne” na stronie 87.

System zawiera następujące oprogramowanie:

- Program do konfiguracji systemu umożliwiający obejrzenie i zmianę informacji o konfiguracji systemu. Więcej informacji znaleźć można w rozdziale „Korzystanie w programie konfiguracji systemu” w *Podręczniku użytkownika sprzętu*.
- Udoskonalone funkcje zabezpieczeń, obejmujące hasła systemowe oraz konfiguracji, są dostępne w ramach programu konfiguracji systemu.
- Sterowniki grafiki umożliwiające wyświetlanie programów w trybach wysokiej rozdzielczości.

Oprogramowanie do zarządzania systemami oraz dyski CD z dokumentacją.

## Obsługiwane systemy operacyjne

- Microsoft® Windows Server® 2008 – wersje Web, Standard i Enterprise (32-bitowe x86) (*jeśli dostępne*)
- Microsoft Windows Server 2008 – wersje Web, Standard i Small Business Server (Premium i Standard) oraz Enterprise (x64) (*jeśli dostępne*)
- Microsoft Windows Server 2003 – wersje Web, Standard i Small Business Server (Premium i Standard) oraz Enterprise (32-bitowe x86) (SP1 i SP2)
- Microsoft Windows Server 2003, wersje Standard i Enterprise (x64)
- Microsoft Windows Server 2003 R2 Standard, Small Business Server (Premium i Standard), oraz wersje Enterprise (32-bitowe x86)
- Microsoft Windows Server 2003, wersje R2 Standard i Enterprise (x64)
- Red Hat® Enterprise Linux® ES, wersje 4 i 5 (x86\_32)
- Red Hat Enterprise Linux ES, wersje 4 i 5 (x86\_32)
- SUSE® Linux Enterprise Server 9 (SP4 lub późniejsze wersje) (x86\_64)
- SUSE Linux Enterprise Server 10 (x86\_64)




**UWAGA:** Najaktualniejsze informacje o obsługiwanych systemach operacyjnych znajdują się na stronie [www.dell.com](http://www.dell.com).

## Inne przydatne informacje



**PRZESTROGA:** *Przewodnik z informacjami o produkcji zawiera ważne wskazówki dotyczące bezpieczeństwa oraz przepisy prawne. Informacje dotyczące gwarancji mogą być zamieszczone w tym dokumencie lub dostarczone jako oddzielny dokument.*

- *Podręcznik montowania stelażu lub Instrukcje dotyczące montowania stelażu* dołączone do stelażu opisują sposób montowania komputera na stelażu.
- *Instrukcja uruchamiania* zawiera przegląd funkcji systemowych, informacje o konfiguracji systemu oraz specyfikacje techniczne.
- *Podręcznik użytkownika sprzętu* zawiera informacje o funkcjach systemu i opis sposobów rozwiązywania problemów zaistniałych podczas użytkowania systemu, a także instrukcje dotyczące instalacji lub wymiany elementów systemu.

- Płyta CD dołączona do systemu zawiera dokumentację i narzędzia do konfiguracji systemu oraz zarządzania nim.
  - Dokumentacja dołączona do oprogramowania do zarządzania systemem opisuje funkcje, wymagania instalacyjne i podstawowe działanie oprogramowania.
  - Dokumentacja systemu operacyjnego opisuje, w jaki sposób zainstalować (w razie konieczności), skonfigurować oraz użytkować oprogramowanie systemu operacyjnego.
  - Dokumentacja dołączona do innych, osobno zakupionych elementów, zapewnia informacje na temat konfigurowania i instalowania tych opcji.
  - Czasem wraz z systemem dostarczane są aktualizacje, opisujące zmiany w oprogramowaniu systemowym i/lub dokumentacji.
-  **UWAGA:** Należy zawsze sprawdzać, czy pojawiły się nowe aktualizacje na stronie **support.dell.com** i czytać informacje o aktualizacjach, ponieważ często pojawiają się one tam wcześniej niż w innych dokumentach.
- Dane o wersji lub pliki readme mogą być dołączone do systemu w celu dostarczenia informacji o uaktualnieniach wprowadzonych w ostatniej chwili do systemu, dokumentacji lub zaawansowanych technicznie materiałów referencyjnych, przeznaczonych dla doświadczonych użytkowników lub personelu technicznego.

## Uzyskiwanie pomocy technicznej

Jeżeli nie rozumiesz procedur opisanych w tym podręczniku lub jeśli system nie działa zgodnie z oczekiwaniami, zapoznaj się z *Podręcznikiem użytkownika sprzętu*.

Dostępne są również szkolenia i certyfikaty firmy Dell Enterprise – proszę odwiedzić stronę internetową **www.dell.com/training** w celu uzyskania dalszych informacji. Ta usługa może nie być dostępna we wszystkich lokalizacjach.

# Instalacja i konfiguracja

**⚠ PRZESTROGA:** Przed wykonaniem poniższej procedury należy przeczytać instrukcje dotyczące bezpieczeństwa oraz ważne informacje prawne zamieszczone w *Przewodniku z informacjami o produkcie* i zastosować się do nich.

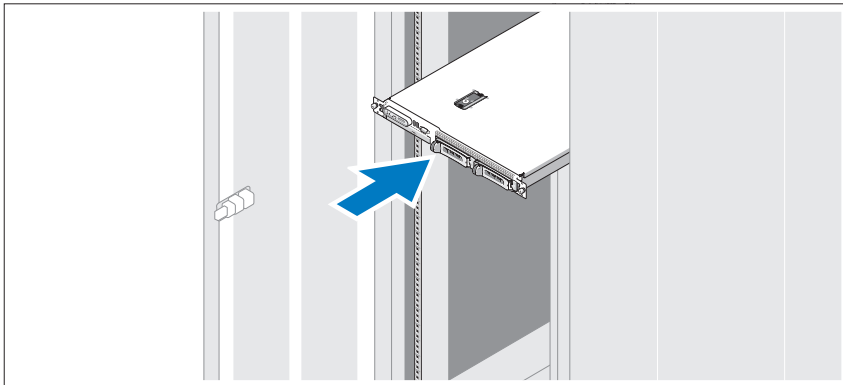
**⚠ PRZESTROGA:** Za każdym razem, gdy konieczne jest podniesienie zestawu komputerowego, należy skorzystać z pomocy drugiej osoby. Aby uniknąć obrażeń, nie należy próbować podnosić go samodzielnie.

Ta sekcja opisuje czynności, które należy wykonać podczas konfigurowania systemu po raz pierwszy.

## Rozpakowanie zestawu komputerowego

Rozpakuj komputer i zidentyfikuj jego poszczególne elementy. Zachowaj wszystkie opakowania na wypadek, gdyby były później potrzebne.

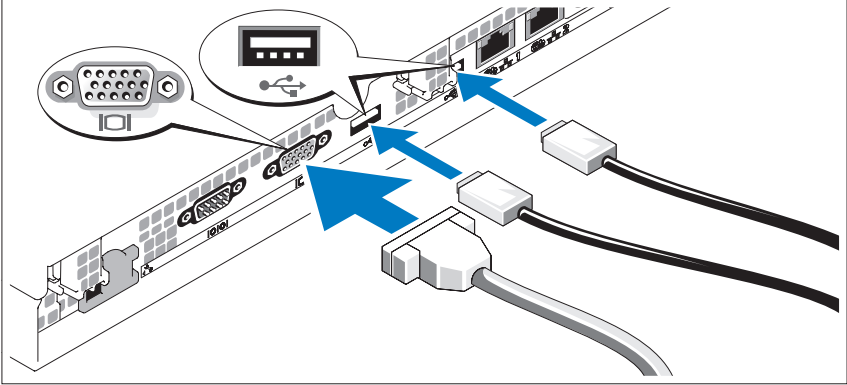
## Montowanie prowadnic i zestawu komputerowego na stelażu



Po zapoznaniu się z „Instrukcjami dotyczącymi bezpieczeństwa” przedstawionymi w dokumentacji montowania stelażu przeznaczonego dla tego zestawu komputerowego należy zamontować komputer na stelażu.

W celu uzyskania instrukcji dotyczących montowania zestawu komputerowego na stelażu należy przejrzeć dokumentację montowania stelażu. W celu otrzymania wskazówek dotyczących zasilania i chłodzenia należy zapoznać się z narzędziem do planowania pojemności stelaża dostępnym na stronie internetowej [www.dell.com](http://www.dell.com).

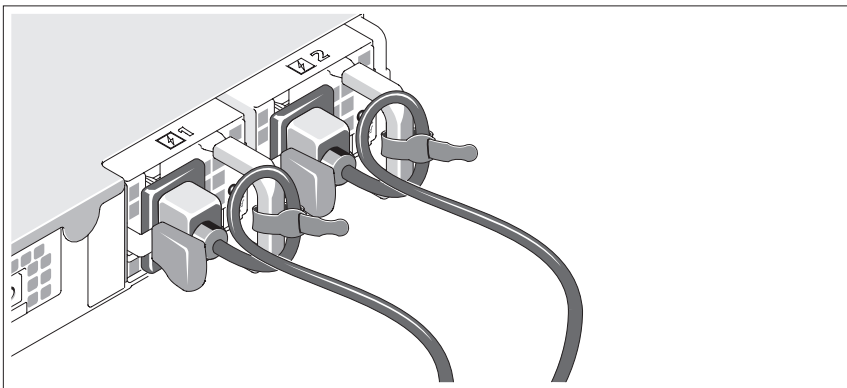
## Podłączanie klawiatury, myszy i monitora



Podłącz klawiaturę, mysz i monitor (opcjonalnie).

Złącza w tylnej części zestawu oznaczone są ikonami, wskazującymi kabel, który należy podłączyć do każdego złącza. Należy upewnić się, że dokręcone są śruby na złączu kabla monitora (o ile występują).

## Podłączanie do zasilania

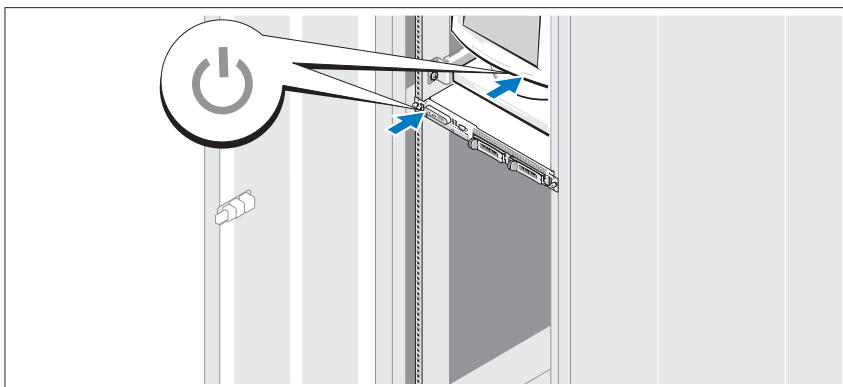


Podłącz kable zasilania do systemu (rysunek przedstawia system nadmiarowy).

W przypadku systemów nadmiarowych zabezpiecz kable dwiema taśmami Velcro dostarczonymi z zestawem komputerowym, jak przedstawiono na rysunku. W przypadku systemów nienadmiarowych dołącz wspornik podtrzymujący kabel zasilania dostarczony wraz z zestawem komputerowym.

Teraz podłącz drugą końcówkę kabla do uziemionego gniazdka elektrycznego lub innego źródła zasilania, np. do zasilacza bezprzerwowego (UPS) lub jednostki rozdzielu zasilania (PDU).

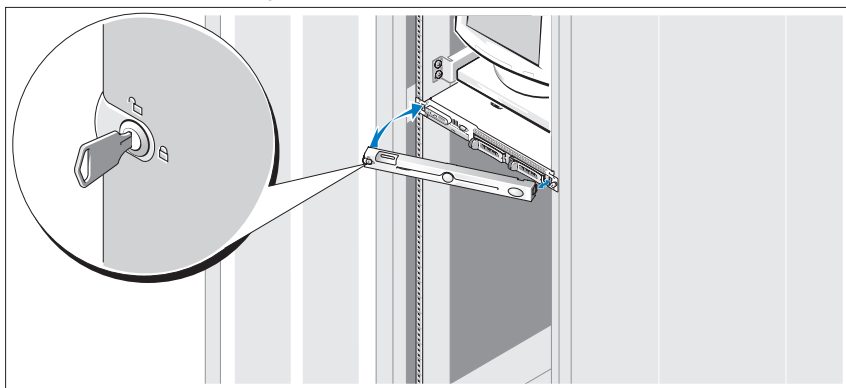
## Włączanie komputera



Włącz komputer i monitor (opcjonalnie).

Naciśnij przyciski zasilania systemu i monitora. Powinny zaświecić się wskaźniki zasilania. Wyreguluj ustawienia monitora aż do uzyskania odpowiedniego obrazu.

## Instalowanie osłony



Zamontuj osłonę (opcjonalnie).



# Skonfiguruj system operacyjny

W przypadku zakupienia systemu operacyjnego zainstalowanego fabrycznie proszę zapoznać się z dokumentacją systemu operacyjnego dostarczoną wraz z komputerem. Jeśli system operacyjny jest instalowany po raz pierwszy, należy zapoznać się z *Podręcznikiem szybkiej instalacji*. Upewnij się, że system operacyjny został zainstalowany przed instalacją sprzętu i oprogramowania niezakupionego wraz z komputerem.

## Parametry techniczne

---

### Procesor

---

Typ procesora	Jednordzeniowy procesor Intel® Celeron® 445 lub Dwurdzeniowy procesor Intel Core™2 Duo E6305 lub E6405 lub Czterordzeniowy procesor Intel Xeon® X3323, X3353 lub X3363
---------------	--

---

### Szyny rozszerzeń

---

Typ szyny	PCI-X, PCIe
-----------	-------------

#### Gniazda rozszerzeń – dwie opcjonalne karty wystające

##### Karta wystająca 1

Środkowa karta nośna PCIe	Jedno gniazdo PCIe na kartę x8 o pełnej wysokości i połówkowej długości
---------------------------	---

Lewa karta nośna PCIe	Jedno gniazdo PCIe na kartę x8 o pełnej wysokości i połówkowej długości
-----------------------	---

##### Karta nośna 2

Lewa karta nośna PCI-X	Jedno gniazdo PCI-X na 64-bitową kartę o pełnej wysokości, połówkowej długości i częstotliwości 133 MHz
------------------------	---

Środkowa karta nośna PCIe	Jedno gniazdo PCIe na kartę x8 o pełnej wysokości i połówkowej długości
---------------------------	---

---

## Pamięć

---

Architektura	Do sześciu zarejestrowanych modułów pamięci DDR2 677 MHz RDRAM z ECC
Gniazda modułów pamięci	Sześć 240-stykowych
Pojemność modułów pamięci	512 MB, 1 GB, 2 GB, 4 GB
Min. pojemność pamięci RAM	512 MB (jeden moduł 512 MB)
Maks. pojemność pamięci RAM	24 GB

---

## Napędy

---

### Dyski twarde

SATA	Do dwóch 3,5-calowych dysków wewnętrznych (opcjonalne dla podłączenia w trakcie pracy systemu)
SAS	Do dwóch 3,5-calowych dysków z opcjonalną kartą kontrolera SAS (opcjonalne dla podłączenia w trakcie pracy systemu)
Napęd CD/DVD	Jeden napęd DVD lub napęd typu kombo CD-RW/DVD we wnęce na napęd <b>UWAGA:</b> Urządzenia DVD są przeznaczone tylko dla danych.
Napęd USB typu flash	Jeden napęd optyczny, który emuluje napęd dyskietek lub dysk twardy

---

## Złącza

---

### Dostępne zewnętrznie

#### Tylne

Karta sieciowa	Dwa złącza RJ-45 (dla zintegrowanych kart sieciowych o pojemności 1 GB)
Szeregowe	9 stykowe
USB	Dwa 4-stykowe, kompatybilne z USB 2.0
Grafika	15-stykowa karta VGA

---

## Złącza *(Ciąg dalszy)*

---

### Przednie

Grafika	15-stykowa karta VGA
USB	Dwa 4-stykowe, kompatybilne z USB 2.0

### Dostępne wewnątrz

Kanały SATA	Trzy 7-stykowe
Klucz USB (dla klucza pamięci)	Jedno złącze 4-stykowe, kompatybilne z USB 2.0

---

## Grafika

---

Typ grafiki	Zintegrowany kontroler ATI ES1000 VGA
Pamięć grafiki	32 MB (min.)-64 MB (maks.) DDR II

---

## Zasilanie

---

### Zasilacz prądu zmiennego

Moc	Nadmiarowy zasilacz o mocy 400 W dla dysków twardych podłączanych podczas pracy urządzenia plus nadmiarowa konfiguracja PSU (konfiguracja maksymalna)
Napięcie	100–240 VAC, 50/60 Hz
Maksymalne natężenie prądu przy włączeniu	Przy typowym zasilaniu i w całym dozwolonym zakresie warunków pracy systemu natężenie prądu przy włączeniu może osiągnąć 25 A na zasilacz przez 10 ms lub krócej
Bateria systemowa	Litowa bateria pastylkowa CR 2032 o napięciu 3,0 V

---

## Cechy fizyczne

---

Wysokość	4,2 cm (1,67 cala)
Szerokość	42,6 cm (16,78 cala)

### Głębokość

Z opcjonalną osłoną	69,3 cm (27,29 cala)
Bez opcjonalnej osłony	66 cm (26 cali)
Szerokość (maksymalna konfiguracja – kg)	13,45 kg (29,6 funta)

---

## Warunki otoczenia

---

**UWAGA:** W celu uzyskania dodatkowych informacji o warunkach otoczenia przewidzianych dla poszczególnych konfiguracji systemu proszę odwiedzić stronę internetową [www.dell.com/environmental\\_datasheets](http://www.dell.com/environmental_datasheets).

### Temperatura

W trakcie pracy	Od 10° do 35°C (od 50° do 95°F)
Podczas przechowywania	Od –40° do 65°C (od –40° do 149°F)

### Wilgotność względna

W trakcie pracy	Od 20% do 80% (bez kondensacji) przy maksymalnym gradiencie wilgotności wynoszącym 10% na godzinę
Podczas przechowywania	Od 5% do 95% (przy braku kondensacji)

### Maksymalne natężenie wibracji

W trakcie pracy	0,26 G przy częstotliwości 5 – 350 Hz przez 15 min
Podczas przechowywania	1,54 G przy częstotliwości 10 – 250 Hz przez 15 min

---

## Warunki otoczenia (Ciąg dalszy)

---

### Maksymalne wstrząsy

W trakcie pracy	Jeden wstrząs na dodatniej osi Z (jeden wstrząs po każdej stronie systemu) o sile 31 G przez maksymalnie 2,6 ms
Podczas przechowywania	Sześć kolejnych wstrząsów na dodatniej i ujemnej stronie osi X, Y, Z (jeden wstrząs po każdej stronie systemu) o sile 71 G przez maksymalnie 2 ms

### Wysokość n.p.m.

W trakcie pracy	Od –16 do 3 048 m (od –50 do 10 000 stóp) <b>UWAGA:</b> W przypadku wysokości ponad 2 950 stóp maksymalna temperatura, w jakiej urządzenie może pracować, obniża się o 1°F na każde 550.
Podczas przechowywania	Od –16 do 10 600 m (od –50 do 35 000 stóp)

### Poziom zanieczyszczeń w powietrzu

Klasa	G2 lub niższy, określony regulacją ISA-S71.04-1985
-------	--



Dell™ PowerEdge™

Системы R300

# Начало работы с системой



# Примечания, замечания и предупреждения



**ПРИМЕЧАНИЕ:** подзаголовок ПРИМЕЧАНИЕ указывает на важную информацию, которая поможет использовать компьютер более эффективно.



**ВНИМАНИЕ:** это предостережение указывает на возможность повреждения оборудования или потери данных и объясняет, как этого избежать.



**ПРЕДУПРЕЖДЕНИЕ:** это предостережение указывает на потенциальную опасность повреждения, получения легких травм или угрозы для жизни.

---

**Информация в этом документе может быть изменена без предварительного уведомления.  
© 2007 Dell Inc. Все права защищены.**

Воспроизведение любой части данного документа любым способом без письменного разрешения корпорации Dell Inc. строго воспрещается.

Товарные знаки, использованные в этом документе: *Dell*, логотип *DELL* и *PowerEdge* являются товарными знаками корпорации Dell Inc.; *Intel*, *Pentium*, *Celeron* и *Xeon* являются зарегистрированными товарными знаками а *Core* является товарным знаком корпорации Intel Corporation в США и других странах; *Microsoft*, *Windows* и *Windows Server* являются товарными знаками или зарегистрированными товарными знаками корпорации Microsoft в США и/или других странах; *Red Hat* и *Enterprise Linux* являются зарегистрированными товарными знаками корпорации Red Hat Inc.; SUSE является зарегистрированным товарным знаком корпорации Novell Inc..

Остальные товарные знаки и названия продуктов могут использоваться в этом руководстве для обозначения компаний, заявляющих права на товарные знаки и названия, или продуктов этих компаний. Корпорация Dell Inc. не заявляет прав ни на какие товарные знаки и названия, кроме собственных.

Модель SMT

Декабрь 2007

P/N HR210

Ред. A00



## Компоненты системы

Ниже перечислены основные характеристики аппаратного и программного обеспечения системы.

- Корпус для установки в стойку высотой 1U/1S с поддержкой статических и скользящих направляющих.
  - **ПРИМЕЧАНИЕ:** Воспользуйтесь программой настройки системы, чтобы просмотреть информацию о процессоре. См. раздел «Using the System Setup Program» (Использование программы настройки системы) в руководстве *Hardware Owner's Manual* (Руководство пользователя оборудования).
- Один из следующих процессоров:
  - Одноядерный процессор Intel® Celeron® 445
  - Двухядерный процессор Intel Core™2 Duo E6305 или E6405
  - Четырехядерный процессор Intel Xeon® X3323, X3353 или X3363
- Модули регистровой памяти DDR2 с односторонним или двусторонним расположением чипов емкостью не менее 512 Мб, с частотой 667 МГц и коррекцией ошибок с возможностью расширения максимум до 24 Гб путем установки в любом сочетании модулей емкостью 512 Мб, 1 Гб, 2 Гб или 4 Гб в шесть разъемов модулей памяти на системной плате.
- Один из следующих вариантов надстроечных плат:
  - Два удлинителя системной шины (левый и центральный расширители), каждый из которых предоставляет 8-канальный разъем расширения PCI-Express
  - или
  - Один расширитель (центральный) с 8-канальным слотом расширения PCI-Express
  - Один расширитель (левый) с 64-разрядным слотом расширения PCI-X на 3,3 В с частотой 133 МГц

- Один DVD-дисковод 12,7 мм или сочетание CD-RW/DVD в отсека для дисков на устройстве.
- Поддержка следующих конфигураций внутренних жестких дисков:
  - До пяти 3,5-дюймовых внутренних жестких дисков SAS с возможностью горячей замены с дополнительной платой контроллера SAS (в наличии дополнительная плата с возможностью горячей замены)
  - До двух 3,5-дюймовых внутренних жестких дисков SAS (Serial-Attached SCSI) с дополнительной платой контроллера SAS (в наличии дополнительная плата с возможностью горячей замены)
- Дополнительный контроллер удаленного доступа для удаленного управления системой, устанавливаемый в определенный слот на системной плате.
- Дополнительное флэш-устройство USB для переноса данных имитирует дисковод для гибких дисков или жесткий диск.
- Один блок питания на 400 Вт (в наличии дополнительно приобретаемый резервный блок питания).
- Два встроенных сетевых адаптера Gigabit Ethernet, поддерживающие скорости передачи данных 10 Мб/с, 100 Мб/с и 1000 Мб/с, а также Wake-on-LAN.
- Плата DRAC5 (Dell Remote Access Controller Card) для удаленного управления системы, восстановления поврежденной систем и управления питанием Dell PowerEdge.
- Встроенная VGA-совместимая видеоподсистема с видео-контроллером ATI ES1000 на шине PCI с частотой 33 МГц. В данной видеоподсистеме имеется не менее 32 Мб видеопамати с поддержкой двумерной графики. Максимальное разрешение 1600 x 1200 при 65 536 цветах; поддерживается отображение в режиме true-color при следующих разрешениях: 640 x 480, 800 x 600, 1024 x 768, 1280 x 1024. При установке дополнительной платы удаленного доступа максимальное разрешение видеоподсистемы 1280 x 1024.

- Вентиляторные модули, каждый из которых состоит из двух двухмоторных вентиляторов, размещенных напротив процессора и модулей памяти.
- Вентиляторные модули, каждый из которых состоит из двух двухмоторных вентиляторов, размещенных напротив блока питания. Эти вентиляторы применяются для двух резервных блоков питания (при конфигурации с жесткими дисками с возможностью горячей замены и дополнительными блоками питания).
- Последовательный разъём для поддержки перенаправления консоли.
- Функции защиты, включая определение вскрытия корпуса и ключ блокировки дополнительной лицевой панели.
- Встроенный модуль Trusted Platform Module (TPM) (версия 1.2), используемый в приложениях для обеспечения безопасности и поддерживающий создание и хранение ключей, а также хранение паролей и цифровых сертификатов (в Китае недоступен).
- Схема управления системой и программное обеспечение, контролирующее критические напряжения и температуры.
- На задней панели имеются разъемы видеоадаптера, последовательных портов, два USB-разъема и два разъема сетевых адаптеров.
- На передней панели имеются разъем VGA и два разъема USB.
- Также имеется один внутренний USB-разъем для загрузочного ключа памяти.
- 1x5 ЖК-дисплей на передней панели для отображения системного идентификатора и сообщений об ошибках.

Более подробную информацию об отдельных компонентах см. в разделе «Спецификации» на стр. 104.

С системой поставляется следующее программное обеспечение:

- Программа настройки системы System Setup для просмотра и изменения информации о конфигурации системы. Дополнительную информацию см. в разделе «Using the System Setup Program (Использование программы настройки системы)» в руководстве *Hardware Owner's Manual* (Руководство пользователя оборудования).

- Программа настройки системы предоставляет дополнительные возможности защиты, включая системный пароль и пароль программы настройки.
- Видеодрайверы для отображения программ в режимах с высоким разрешением.

Компакт-диски с документацией и программным обеспечением для управления системой.

## Поддерживаемые операционные системы

- Microsoft® Windows Server® 2008, Web, Standard и Enterprise Edition (32-разрядный код для платформы x86) *(при наличии)*
- Microsoft Windows Server 2008 Web, Standard, Small Business Server (Premium и Standard) и Enterprise (x64) Edition *(при наличии)*
- Microsoft Windows Server 2003 Web, Standard, Small Business Server (Premium и Standard) и Enterprise (32-bit x86) Edition (SP1 и SP2)
- Microsoft Windows Server 2003, Standard Edition и Enterprise (x64) Edition
- Microsoft Windows Server 2003 R2 Standard, Small Business Server (Premium и Standard) и Enterprise (32-bit x86) Edition
- Microsoft Windows Server 2003 R2, Standard Edition и Enterprise x64 Edition
- Red Hat® Enterprise Linux® ES (версии 4 и 5) (x86\_32)
- Red Hat Enterprise Linux ES (версии 4 и 5) (x86\_64)
- SUSE® Linux Enterprise Server 9 (с пакетом обновления SP4) (x86\_64)
- SUSE Linux Enterprise Server 10 (x86\_64)



**ПРИМЕЧАНИЕ:** Наиболее актуальную информацию о поддерживаемых операционных системах можно найти на веб-сайте **[www.dell.com](http://www.dell.com)**.

## Прочая полезная информация



**ПРЕДУПРЕЖДЕНИЕ:** В документе *Product Information Guide* (Информационное руководство по продуктам) приведена важная информация о безопасности, а также нормативная информация. Гарантийная информация может включаться в состав данного документа или в отдельный документ.

- Документы *Rack Installation Guide* (Руководство по установке в стойку) или *Rack Installation Instructions* (Инструкции по установке в стойку), поставляемые со стойкой, описывают процедуру монтажа системы в стойку.
- Руководство *Getting Started Guide* (Руководство по началу работы) содержит обзорную информацию по всем компонентам системы, информацию по началу работы с системой и технические характеристики.
- В документе *Hardware Owner's Manual* (Руководство пользователя оборудования) предоставляется информация о характеристиках системы и описан порядок устранения неисправностей системы и установки или замены ее компонентов.
- Компакт-диски, поставляемые вместе с системой, предоставляют документацию, а также средства настройки системы и управления ею.
- Документация по программному обеспечению для управления системой, в которой описаны функции, требования, процедура установки программного обеспечения и основная работа с ним.
- Документация по операционной системе содержит описание установки (при необходимости), настройки и использования ОС.
- Документация по другим приобретенным отдельно компонентам содержит информацию о настройке и установке этих компонентов.

- Обновления документов иногда прилагаются к системе для предоставления описания изменений, внесенных в систему, программное обеспечение и/или в документацию.



**ПРИМЕЧАНИЕ:** Рекомендуется регулярно проверять наличие обновлений на веб-сайте **support.dell.com** и в первую очередь изучать содержащуюся в них информацию, поскольку часто она является более новой по сравнению с информацией в других документах.

- В комплект поставки могут включаться файлы с информацией о версии или файлы «Readme» с описанием последних обновлений и изменений в системе или с дополнительной технической информацией, предназначенной для опытных пользователей и обслуживающего персонала.

## Получение технической поддержки

В случае непонимания приведенной в настоящем руководстве процедуры или если система не работает должным образом, см. документ *Hardware Owner's Manual* (Руководство пользователя оборудования).

С программой обучения и сертификации корпорации Dell (Enterprise Training & Certification) можно ознакомиться на сайте [www.dell.com/training](http://www.dell.com/training). Услуги обучения и сертификации доступны не во всех регионах.

## Установка и конфигурирование



**ПРЕДУПРЕЖДЕНИЕ:** Перед выполнением описанных ниже процедур ознакомьтесь с инструкциями по технике безопасности и важной нормативной информацией в документе *Информационное руководство по продуктам*.



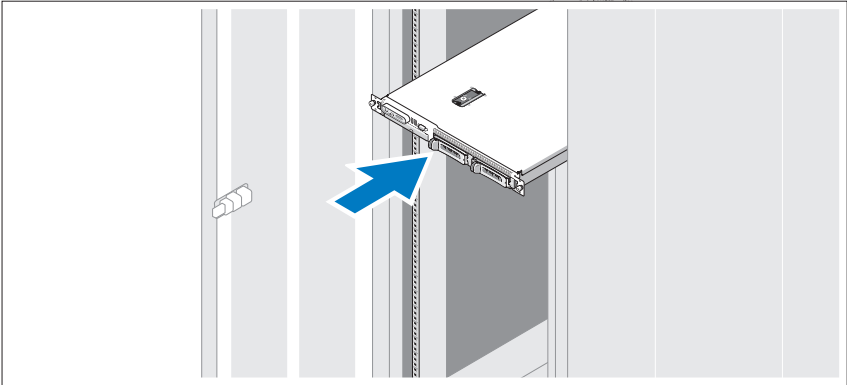
**ПРЕДУПРЕЖДЕНИЕ:** Для поднятия системы необходимо прибегнуть к помощи других лиц. Во избежание телесных повреждений не пытайтесь поднимать систему самостоятельно.

В данном разделе описываются действия по первоначальной установке системы.

## Распаковка системы

Распакуйте систему и идентифицируйте каждый элемент. Сохраните все поставляемые материалы, так как они могут понадобиться в дальнейшем.

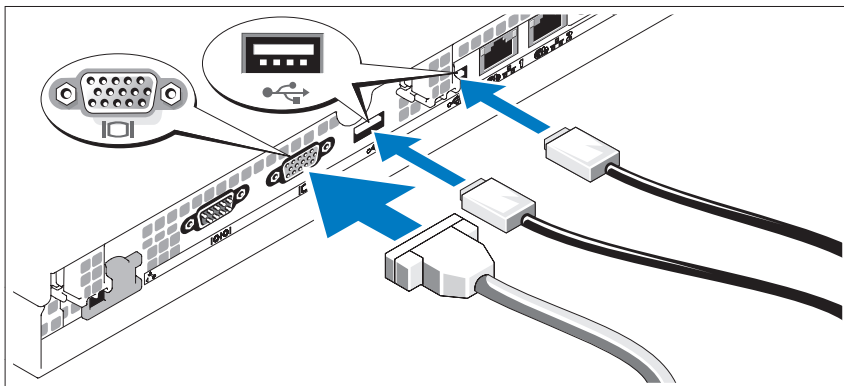
## Установка направляющего кронштейна и системы в стойку



Установите систему в стойку после ознакомления с «Инструкциями по технике безопасности», представленными в документации по установке системы в стойку.

Инструкции по установке системы в стойку можно найти в документации по установке в стойку. Для получения руководства по питанию и охлаждению воспользуйтесь инструментом планировки монтажа в стойку на веб-сайте [www.dell.com](http://www.dell.com).

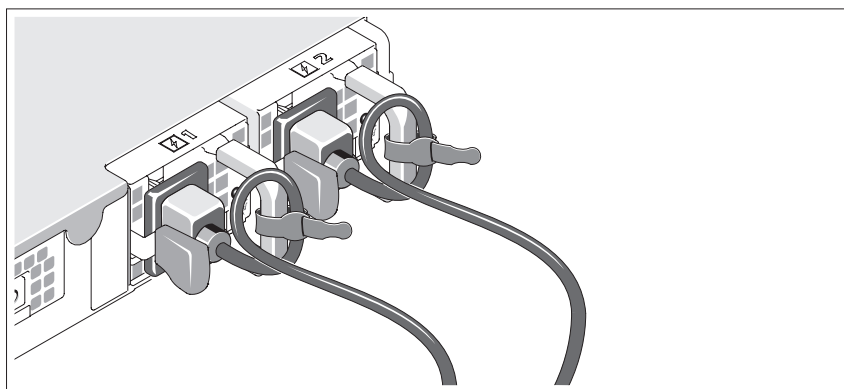
## Подключение клавиатуры, мыши и монитора



Подключите клавиатуру, мышь и монитор (дополнительно).

Разъемы на задней панели системы снабжены значками, позволяющими определить правильное подключение кабелей. На кабельном соединителе монитора необходимо затянуть винты (если они есть).

## Подключение питания

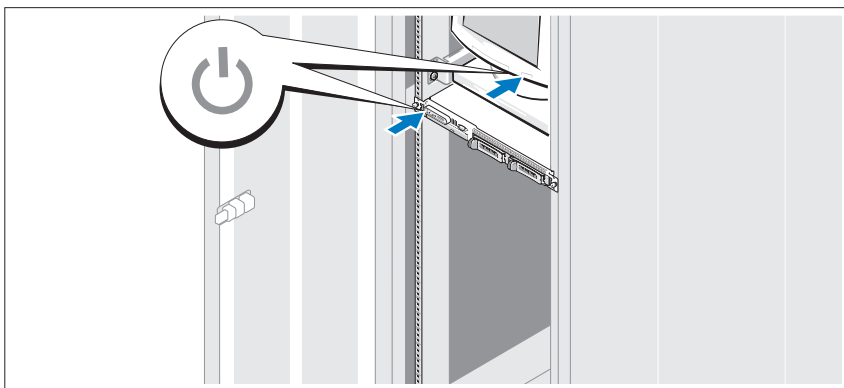


Подсоедините шнур(ы) питания к системе (на иллюстрации показана резервная система). Если подключаемая система является резервной, укрепите шнуры ремнями Velcro, поставляемыми в комплекте с системой, как показано на иллюстрации. Если подключаемая система является основной, зафиксируйте шнуры питания кронштейнами, поставляемыми в комплекте с системой.



Подключите другой конец шнура к заземленной розетке или отдельному источнику питания, например, к источнику бесперебойного питания или блоку распределения питания.

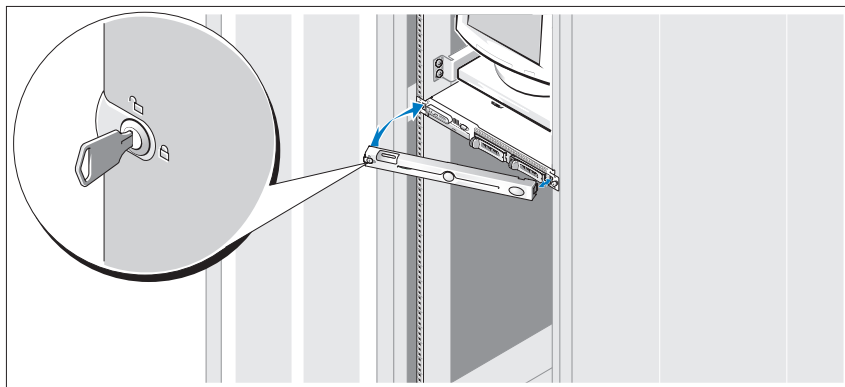
## Включение системы



Включите систему и монитор (дополнительно).

Нажмите кнопку питания на системе и мониторе. Должны засветиться индикаторы питания. С помощью элементов управления монитора отрегулируйте качество изображения.

## Установка лицевой панели



Установка лицевой панели (дополнительно).

# Завершение установки операционной системы

Если компьютер приобретен с предустановленной операционной системой, см. соответствующую документацию, поставляемую вместе с компьютером. Описание первоначальной установки операционной системы см. в *Кратком руководстве по установке*. Операционная система должна быть установлена до установки аппаратного или программного обеспечения, которое не было приобретено вместе с системой.

## Спецификации

---

### Процессор

---

Тип процессора	Одноядерный процессор Intel® Celeron® 445 или Двухядерный процессор Intel Core™2 Duo E6305 или E6405 Sequence или Четырехядерный последовательный процессор Intel Xeon® X3323, X3353 или X3363
----------------	--

---

### Шины расширения

---

Тип шины	PCI-X, PCIe
----------	-------------

### Разъемы расширения две дополнительные надстроечные платы

Надстроечная плата 1

Центральный расширитель PCIe	Один 8-канальный разъем PCIe полной высоты и половинной длины
Левый расширитель PCIe	Один 8-канальный разъем PCIe полной высоты и половинной длины

---

## Шины расширения (Продолжение)

---

### Расширитель 2

Левый расширитель PCI-X	Один 64-разрядный слот PCI-X, полной высоты и половинной длины, с частотой 133 МГц
Центральный расширитель PCIe	Один 8-канальный разъем PCIe полной высоты и половинной длины

---

## Оперативная память

---

Архитектура	До шести зарегистрированных модулей памяти DDR2 RDRAM с частотой 677 МГц и коррекцией ошибок
Разъемы для модулей памяти	Шесть 240-контактных разъемов
Емкость модулей памяти	512 Мб, 1 Гб, 2 Гб, 4 Гб
Минимальный объем ОЗУ	512 Мб (один модуль 512 Мб)
Максимальный объем ОЗУ	24 Гб

---

## Накопители

---

### Жесткие диски

SATA	До двух 3,5-дюймовых, внутренних (дополнительно для горячей замены)
SAS	До двух 3,5-дюймовых, внутренних, с дополнительной платой контроллера SAS (дополнительно для горячей замены)
Дисковод CD/DVD	Один дополнительный дисковод DVD или сочетание CD-RW/DVD в отсеке для дисководов на устройстве <b>ПРИМЕЧАНИЕ:</b> Устройства DVD предназначены только для данных.
флэш-устройство USB	Один дополнительный накопитель, который имитирует дисковод для гибких дисков или жёсткий диск

---

## Разъемы

---

### Доступные снаружи

#### Задняя панель

Сетевой адаптер	Два разъема RJ-45 (для встроенных сетевых адаптеров с пропускной способностью 1 гигабит)
Последовательный порт	9-контактный
USB	Два 4-контактных разъема, совместимых с USB 2.0
Видео	15-контактный VGA-разъем

#### Передняя панель

Видео	15-контактный VGA-разъем
USB	Два 4-контактных разъема, совместимых с USB 2.0

### Внутренние

Каналы SATA	Три 7-контактных
USB-ключ (для ключа памяти)	один 4-контактный, совместимый с USB 2.0

---

## Видео

---

Тип видеоадаптера	Встроенный контроллер ATI ES1000 VGA
Видеопамять	Модуль DDR II: 32 Мб (мин.)-64 Мб (макс.)

---

## Электропитание

---

### Блок питания переменного тока

Мощность в ваттах	Резервный блок питания на 400 Вт для жестких дисков с горячей заменой и конфигурации с резервным блоком питания (максимальная конфигурация)
Напряжение	100-240 В переменного тока, 50/60Гц
Максимальный бросок тока	В условиях стандартного электропитания и нормальной окружающей среды системы бросок тока может достигать не более 25 А в течение не более 10 мс.
Системный аккумулятор	Круглый литиевый CR 2032 3,0 В

---

## Габаритные размеры

---

Высота	4,2 см (1,67 дюйма)
Ширина	42,6 см (16,78 дюйма)
<b>Ширина</b>	
С необязательной лицевой панелью	69,3 см (27,29 дюйма)
Без необязательной лицевой панели	66 см (26 дюймов)
Вес (максимальная конфигурация, кг)	13,45 кг (29,6 фунта)

---

## Условия эксплуатации

---

**ПРИМЕЧАНИЕ:** Дополнительную информацию о параметрах окружающей среды для установки определенной конфигурации системы см. на веб-узле [www.dell.com/environmental\\_datasheets](http://www.dell.com/environmental_datasheets).

### Температура

Рабочий режим	От 10° до 35°C (от 50° до 95°F)
Режим хранения	От -40° до 65°C (от -40° до 149°F)

---

## Условия эксплуатации (Продолжение)

---

### Относительная влажность

Рабочий режим	От 20% до 80% (без конденсации) с максимальным изменением влажности 10% в час.
Режим хранения	5–95 % (без конденсации)

### Максимальная вибрация

Рабочий режим	0,26 Grms при 5–350 Гц на 15 мин
Режим хранения	1,54 Grms при 10–250 Гц на 15 мин

### Максимальная ударная нагрузка

Рабочий режим	Один ударный импульс 31 G длительностью не более 2,6 мс в положительном направлении по оси z (по одному импульсу с каждой стороны системы)
Режим хранения	Шесть последовательных ударных импульсов 71 G длительностью не более 2 мс в положительном и отрицательном направлениях по осям x, y и z (по одному импульсу с каждой стороны системы)

### Высота над уровнем моря

Рабочий режим	от –16 до 3 048 м (от –50 до 10 000 футов) <b>ПРИМЕЧАНИЕ:</b> Если высота над уровнем моря превышает 2 950 футов, максимальная рабочая температура снижается: 1°F/550 футов.
Режим хранения	От –16 до 10 600 м (от –50 до 35 000 футов)

### Уровень загрязняющих веществ в атмосфере

Класс	G2 или ниже, как установлено в ISA-S71.04-1985
-------	--

Sistemas Dell™  
PowerEdge™ R300

# Procedimientos iniciales con el sistema



# Notas, avisos y precauciones



**NOTA:** Una NOTA proporciona información importante que le ayudará a utilizar mejor el ordenador.



**AVISO:** Un AVISO indica la posibilidad de daños en el hardware o la pérdida de datos, e informa de cómo evitar el problema.



**PRECAUCIÓN:** Un mensaje de PRECAUCIÓN indica el riesgo de daños materiales, lesiones o incluso la muerte.

---

**La información contenida en este documento puede modificarse sin previo aviso.  
© 2007 Dell Inc. Todos los derechos reservados.**

Queda estrictamente prohibida la reproducción de este documento en cualquier forma sin la autorización por escrito de Dell Inc.

Marcas comerciales utilizadas en este texto: *Dell*, el logotipo de *DELL* y *PowerEdge* son marcas comerciales de Dell Inc.; *Intel*, *Pentium*, *Celeron* y *Xeon* son marcas comerciales registradas y *Core* es una marca comercial de Intel Corporation en los Estados Unidos y en otros países; *Microsoft*, *Windows* y *Windows Server* son marcas comerciales o marcas comerciales registradas de Microsoft Corporation en los Estados Unidos o en otros países; *Red Hat* y *Enterprise Linux* son marcas comerciales registradas de Red Hat Inc.; SUSE es una marca comercial registrada de Novell Inc.

Otras marcas y otros nombres comerciales pueden utilizarse en este documento para hacer referencia a las entidades que los poseen o a sus productos. Dell Inc. renuncia a cualquier interés sobre la propiedad de marcas y nombres comerciales que no sean los suyos.

**Modelo SMT**

**Diciembre de 2007**

**N/P HR210**

**Rev. A00**



## Componentes del sistema

Los principales componentes de hardware y software del sistema son:

- Chasis montable en rack 1U/1S que admite rieles estáticos y rieles deslizantes.
  - ▣ **NOTA:** Utilice el programa de configuración del sistema para visualizar la información del procesador. Consulte “Uso del programa de configuración del sistema” en el *Manual del propietario del hardware*.
- Uno de los procesadores siguientes:
  - Procesador de un solo núcleo Intel® Celeron® 445
  - Procesador de doble núcleo Intel Core™ 2 Duo E6305 o E6405
  - Procesador de cuatro núcleos Intel Xeon® X3323, X3353 o X3363
- Un mínimo de 512 MB de módulos de memoria DDR2 registrada duales o no duales a 667 MHz con ECC, ampliables a un máximo de 24 GB mediante la instalación de combinaciones de módulos de memoria de 512 MB, 1 GB, 2 GB o 4 GB en seis zócalos de módulo de memoria de la placa base.
- Una de las siguientes opciones de tarjeta vertical:
  - Dos tarjetas verticales (izquierda y central), cada una de ellas con una ranura de expansión PCI-Express x8
  - O bien:
    - Una tarjeta vertical (central) con una ranura de expansión PCI-Express x8
    - Una tarjeta vertical (izquierda) con una ranura de expansión PCI-X de 3,3 V y 64 bits a 133 MHz
- Una unidad de DVD o una unidad de CD-RW/DVD combinada de 12,7 mm en un compartimiento para unidades de dispositivo.

- Compatibilidad con las siguientes configuraciones de unidad de disco interna:
  - Hasta dos unidades de disco duro SATA internas de 3,5 pulgadas con la tarjeta controladora SAS opcional (acoplamiento activo opcional)
  - Hasta dos unidades de disco duro SCSI de conexión serie (SAS) internas de 3,5 pulgadas con una tarjeta controladora SAS (acoplamiento activo opcional)
- Controladora de acceso remoto opcional para la administración remota de sistemas que se instala en la ranura dedicada de la placa base.
- La unidad flash USB opcional emula una unidad de disquete o de disco duro.
- Una fuente de alimentación de 400 W (disponible con fuente de alimentación redundante opcional).
- Dos adaptadores de red Ethernet Gigabit integrados que admiten velocidades de transferencia de datos de 10 Mbps, 100 Mbps y 1 000 Mbps compatibles con Wake-on-LAN.
- Una tarjeta Dell Remote Access Controller (DRAC 5), que proporciona administración remota de sistemas, recuperación del sistema en caso de bloqueo y control de alimentación para Dell PowerEdge.
- Un subsistema de vídeo integrado compatible con VGA con una controladora de vídeo PCI ATI ES1000 a 33 MHz. Este subsistema de vídeo contiene un mínimo de 32 MB de memoria gráfica que admite gráficos en 2D. La resolución máxima es de 1 600 x 1 200 con 65 536 colores; admite gráficos de color verdadero en las resoluciones siguientes: 640 x 480, 800 x 600, 1 024 x 768 y 1 280 x 1 024. Cuando la tarjeta de acceso remoto opcional está instalada, la resolución máxima de vídeo es de 1 280 x 1 024.
- Módulos de ventilador, cada uno con dos ventiladores de dos rotores situados delante del procesador y la memoria.
- Módulos de ventilador, cada uno con dos ventiladores de dos rotores situados delante de la unidad de fuente de alimentación (PSU). Estos ventiladores se utilizan para las dos PSU redundantes (unidades de disco duro de acoplamiento activo y configuración de PSU redundante).

- Conector serie para admitir la redirección de consola.
- Funciones de seguridad, como por ejemplo detección de intrusión en el chasis y cerradura en el embellecedor opcional.
- Un módulo de plataforma segura (TPM) versión 1.2 integrado para aplicaciones de seguridad, que permite generar y almacenar claves, así como almacenar contraseñas y certificados digitales (no está disponible en China).
- Circuitos/software de administración de sistemas que supervisan las temperaturas y los voltajes del sistema críticos.
- En el panel posterior se incluyen el conector de vídeo, el conector serie, dos conectores USB y dos conectores del adaptador de red.
- En el panel frontal se incluyen un conector VGA y dos conectores USB.
- Se incluye un conector USB interno para una memoria USB de inicio.
- LCD de panel frontal 1x5 para la ID y los mensajes de error del sistema.

Para obtener más información sobre componentes específicos, consulte “Especificaciones técnicas” en la página 119.

El software siguiente está incluido en el sistema:

- Un programa de configuración del sistema para ver y cambiar información de configuración del sistema. Para obtener más información, consulte “Uso del programa de configuración del sistema” en el *Manual del propietario del hardware*.
- Funciones de seguridad mejoradas, entre las que se incluyen una contraseña del sistema y una contraseña de configuración, disponibles mediante el programa de configuración del sistema.
- Controladores de vídeo para visualizar programas en modos de alta resolución.

Software de administración de sistemas y CD de documentación.

## Sistemas operativos admitidos

- Microsoft® Windows Server® 2008 Web, Standard y Enterprise (x86 de 32 bits) Edition (*si están disponibles*)
- Microsoft Windows Server 2008 Web, Standard, Small Business Server (Premium y Standard) y Enterprise (x64) Edition (*si están disponibles*)
- Microsoft Windows Server 2003 Web, Standard, Small Business Server (Premium y Standard) y Enterprise (x86 de 32 bits) Edition (SP1 y SP2)
- Microsoft Windows Server 2003 Standard y Enterprise (x64) Edition
- Microsoft Windows Server 2003 R2 Standard, Small Business Server (Premium y Standard) y Enterprise (x86 de 32 bits) Edition
- Microsoft Windows Server 2003 R2 Standard y Enterprise (x64) Edition
- Red Hat® Enterprise Linux® ES (versiones 4 y 5) (x86\_32)
- Red Hat Enterprise Linux ES (versiones 4 y 5) (x86\_64)
- SUSE® Linux Enterprise Server 9 (x86\_64) con SP4 o posterior
- SUSE Linux Enterprise Server 10 (x86\_64)



**NOTA:** Para obtener la información más reciente sobre los sistemas operativos admitidos, visite [www.dell.com](http://www.dell.com).

## Otra información útil



**PRECAUCIÓN:** La *Guía de información del producto* contiene información importante sobre seguridad y normativas. La información sobre la garantía puede estar incluida en este documento o constar en un documento aparte.

- En los documentos *Guía de instalación del rack* o *Instrucciones de instalación del rack*, incluidos con el rack, se describe cómo instalar el sistema en un rack.
- En la *Guía de introducción* se ofrece una visión general sobre los componentes, la configuración y las especificaciones técnicas del sistema.
- En el *Manual del propietario del hardware* se proporciona información sobre los componentes del sistema y se describe cómo solucionar problemas del sistema e instalar o sustituir componentes.

- Los CD que se facilitan con el sistema proporcionan documentación y herramientas para configurar y administrar el sistema.
- En la documentación del software de administración de sistemas se describen las funciones, los requisitos, la instalación y el funcionamiento básico del software.
- En la documentación del sistema operativo se describe cómo instalar (si es necesario), configurar y utilizar el software del sistema operativo.
- En la documentación de los componentes adquiridos por separado se incluye información para configurar e instalar las opciones correspondientes.
- Algunas veces, con el sistema se incluyen actualizaciones que describen los cambios realizados en el sistema, en el software o en la documentación.
  - ✍ **NOTA:** Compruebe si hay actualizaciones en [support.dell.com](http://support.dell.com) y, si las hay, léalas antes de proceder a la instalación, puesto que a menudo sustituyen la información contenida en otros documentos.
- Es posible que se incluyan notas de la versión o archivos Léame para proporcionar actualizaciones de última hora relativas al sistema o a la documentación, o material de consulta técnica avanzada destinado a técnicos o usuarios experimentados.

## Obtención de asistencia técnica

Si no comprende algún procedimiento descrito en esta guía o si el sistema no funciona del modo esperado, consulte el *Manual del propietario del hardware*.

Tiene a su disposición el servicio de formación y certificación Dell para empresas. Para obtener más información, visite [www.dell.com/training](http://www.dell.com/training). Es posible que este servicio no se ofrezca en todas las regiones.

# Instalación y configuración

**⚠ PRECAUCIÓN:** Antes de realizar el procedimiento siguiente, lea y siga las instrucciones de seguridad y la información importante sobre normativas incluidas en la *Guía de información del producto*.

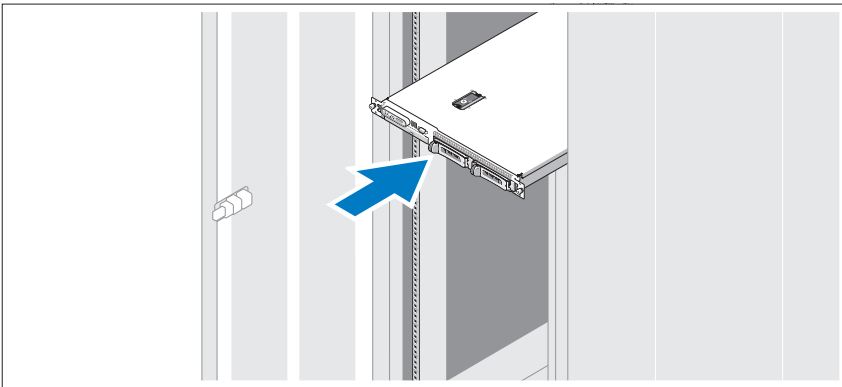
**⚠ PRECAUCIÓN:** Siempre que necesite levantar el sistema, pida la ayuda de otros. Con el fin de evitar lesiones personales, no intente mover el sistema usted solo.

En esta sección se describen los pasos para configurar el sistema por primera vez.

## Desembalaje del sistema

Desembale el sistema e identifique cada elemento. Guarde el material de embalaje por si lo necesita más adelante.

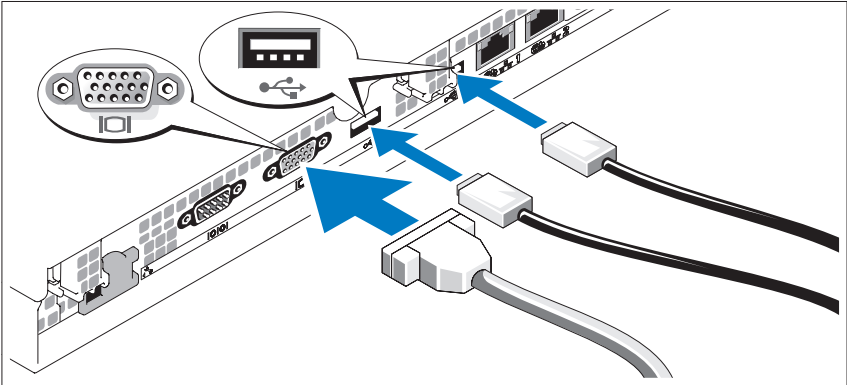
## Instalación del riel y del sistema en un rack



Después de leer las instrucciones de seguridad incluidas en la documentación del sistema relativa a la instalación del rack, instale el sistema en el rack.

Consulte la documentación de instalación del rack para obtener instrucciones sobre la instalación del sistema en un rack. Para obtener pautas sobre alimentación y refrigeración, consulte la herramienta de planificación de la capacidad del rack en [www.dell.com](http://www.dell.com).

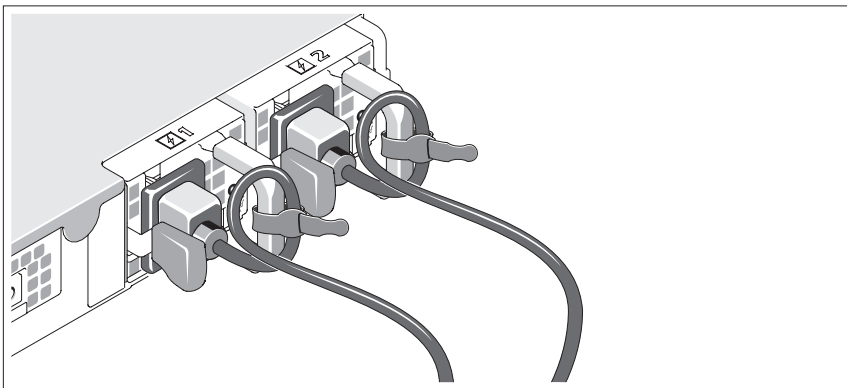
## Conexión del teclado, el ratón y el monitor



Conecte el teclado, el ratón y el monitor (opcional).

Los conectores de la parte posterior del sistema incluyen iconos que indican qué cable debe enchufarse en cada conector. Asegúrese de apretar los tornillos (si los hay) del conector del cable del monitor.

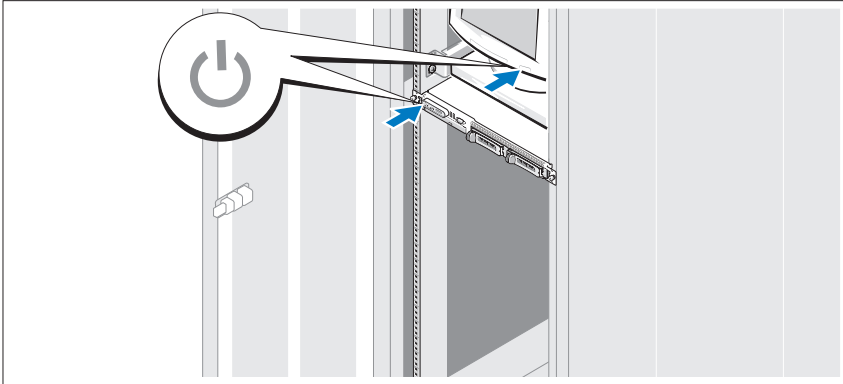
## Conexión de la alimentación



Conecte los cables de alimentación al sistema (en la ilustración se muestra un sistema redundante). En los sistemas redundantes, fije los cables con las dos tiras de velcro que se suministran con el sistema, tal como se indica. En los sistemas sin redundancia, fije el soporte de retención del cable de alimentación que se suministra con el sistema.

Conecte el otro extremo del cable a una toma eléctrica con conexión a tierra o a otra fuente de energía, como por ejemplo un sistema de alimentación ininterrumpida (SAI) o una unidad de distribución de alimentación (PDU).

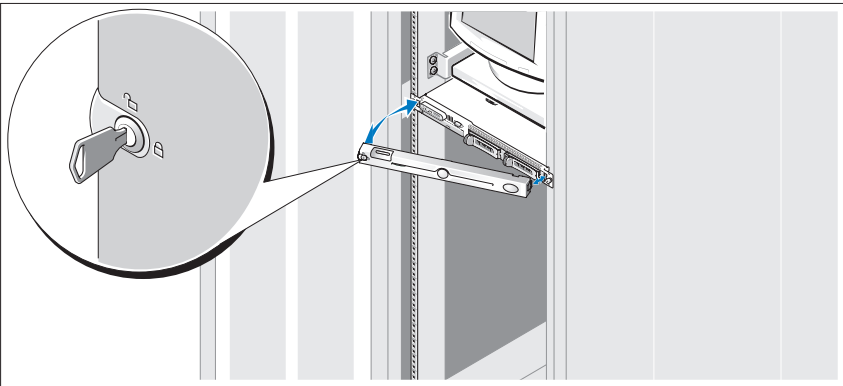
### Encendido del sistema



Encienda el sistema y el monitor (opcional).

Presione el botón de encendido del sistema y del monitor. Los indicadores luminosos de alimentación deberían encenderse. Ajuste los controles del monitor hasta que la imagen mostrada sea satisfactoria.

### Instalación del embellecedor



Instale el embellecedor (opcional).



# Finalización de la configuración del sistema operativo

Si ha adquirido un sistema operativo preinstalado, consulte la documentación del sistema operativo que se suministra con el sistema. Para instalar un sistema operativo por primera vez, consulte la *Guía de instalación rápida*. Asegúrese de que el sistema operativo está instalado antes de instalar hardware o software no adquirido con el sistema.

## Especificaciones técnicas

---

### Procesador

---

Tipo de procesador	Procesador de un solo núcleo Intel® Celeron® 445 O bien: Procesador de doble núcleo Intel Core™ 2 Duo secuencia E6305 o E6405 O bien: Procesador de cuatro núcleos Intel Xeon® serie X3323, X3353 o X3363
--------------------	--

---

### Buses de expansión

---

Tipo de bus	PCI-X, PCIe
<b>Ranuras de expansión para dos tarjetas verticales opcionales</b>	
Tarjeta vertical 1	
Tarjeta vertical PCIe central	Una ranura PCIe x8 de altura completa y media longitud
Tarjeta vertical PCIe izquierda	Una ranura PCIe x8 de altura completa y media longitud
Tarjeta vertical 2	
Tarjeta vertical PCI-X izquierda	Una ranura PCI-X de 64 bits a 133 MHz de altura completa y media longitud
Tarjeta vertical PCIe central	Una ranura PCIe x8 de altura completa y media longitud

---

## Memoria

---

Arquitectura	Hasta seis módulos de memoria RDRAM DDR2 registrada a 677 MHz con ECC
Zócalos de módulo de memoria	Seis de 240 patas
Capacidades de módulo de memoria	512 MB, 1 GB, 2 GB y 4 GB
RAM mínima	512 MB (un módulo de 512 MB)
RAM máxima	24 GB

---

## Unidades

---

### Unidades de disco duro

SATA	Hasta dos unidades internas de 3,5 pulgadas (acoplamiento activo opcional)
SAS	Hasta dos unidades internas de 3,5 pulgadas con una tarjeta controladora SAS opcional (acoplamiento activo opcional)
Unidad de CD/DVD	Una unidad de DVD o de CD-RW/DVD combinada opcional en un compartimiento para unidades de dispositivo <b>NOTA:</b> Los dispositivos de DVD son sólo de datos.
Unidad flash USB	Una unidad opcional que emula una unidad de disquete o de disco duro

---

## Conectores

---

### Acceso externo

#### Parte posterior

Adaptador de red	Dos RJ-45 (para adaptadores de red de 1 gigabit integrados)
Serie	9 patas
USB	Dos de 4 patas compatibles con USB 2.0
Vídeo	VGA de 15 patas

---

**Conectores** *(continuación)*

---

**Parte frontal**

Vídeo	VGA de 15 patas
USB	Dos de 4 patas compatibles con USB 2.0

**Acceso interno**

Canales SATA	Tres de 7 patas
Memoria USB	Uno de 4 patas compatible con USB 2.0

---

**Vídeo**

Tipo de vídeo	Controladora VGA ATI ES1000 integrada
Memoria de vídeo	DDR II de 32 MB mínimo o 64 MB máximo

---

**Alimentación****Fuente de alimentación de CA**

Potencia	PSU redundante de 400 W para unidades de disco duro de acoplamiento activo más configuración de PSU redundante (configuración máxima)
Voltaje	100–240 V CA, 50/60 Hz
Corriente de conexión máxima	En condiciones normales de línea y en todo el ambiente del rango operativo del sistema, la corriente de la conexión puede alcanzar los 25 A durante 10 ms o menos

Batería del sistema	Batería de tipo botón de litio CR2032 de 3 V
---------------------	--

---

**Características físicas**

Altura	4,2 cm
Anchura	42,6 cm

**Profundidad**

Con embellecedor opcional	69,3 cm
Sin embellecedor opcional	66 cm
Peso en kg (configuración máxima)	13,45 kg

---

## Especificaciones ambientales

---

**NOTA:** Para obtener información adicional sobre medidas medioambientales relativas a configuraciones del sistema específicas, visite [www.dell.com/environmental\\_datasheets](http://www.dell.com/environmental_datasheets).

### Temperatura

En funcionamiento	De 10 a 35 °C
En almacenamiento	De -40 a 65 °C

### Humedad relativa

En funcionamiento	Del 20 al 80% (sin condensación) con una gradación de humedad máxima del 10% por hora
En almacenamiento	Del 5 al 95% (sin condensación)

### Vibración máxima

En funcionamiento	0,26 Grms a 5–350 Hz durante 15 minutos
En almacenamiento	1,54 Grms a 10–250 Hz durante 15 minutos

### Impacto máximo

En funcionamiento	Un choque en el sentido positivo del eje z (un choque en cada lado del sistema) de 31 G durante un máximo de 2,6 ms
En almacenamiento	Seis choques ejecutados consecutivamente en los ejes x, y y z positivo y negativo (un choque en cada lado del sistema) de 71 G durante un máximo de 2 ms

### Altitud

En funcionamiento	De -16 a 3 048 m <b>NOTA:</b> Para altitudes superiores a los 900 m, la temperatura máxima de funcionamiento se reduce 1 °C cada 93 m.
En almacenamiento	De -16 a 10 600 m

### Nivel de contaminación atmosférica

Clase	G2 o menos de acuerdo con ISA-S71.04-1985
-------	---

---

## תנאי סביבה

**הערה:** למידע נוסף על מדידות סביבתיות עבור תצורות מערכת ספציפיות, בקר בכתובת [www.dell.com/environmental\\_datasheets](http://www.dell.com/environmental_datasheets).

### טמפרטורה

הפעלה 10° עד 35°C

אחסון -40° עד 65°C

### לחות יחסית

הפעלה 20% עד 80% (ללא עיבוי) עם ירידה מרבית הדרגתית בלחות של 10% בשעה

אחסון 5% עד 95% (ללא עיבוי)

### רטט מרבי

הפעלה 0.26 Grms ב-5–350 Hz למשך 15 דקות

אחסון 1.54 Grms ב-10–250 Hz למשך 15 דקות

### זעזוע מרבי

הפעלה פעימת זעזוע אחת בציר Z החיובי (פעימה אחת בכל צד של המערכת) מתוך 31G למשך עד 2.6 מ"ש

אחסון שש פעימות זעזוע המופעלות בזו אחר זו בצירי x, y, z החיוביים והשליליים (פעימה אחת בכל צד של המערכת) מתוך 71 G למשך עד 2 מ"ש

### גובה

הפעלה -16 עד 3,048 מ'

**הערה:** לגבהים שמעל 900 מטר, טמפרטורת ההפעלה המרבית היא 1 מעלות צלזיוס/93 מ'

אחסון -16 עד 10,600 מ'

### רמת זיהום אווירי

Class G2 או פחות כמוגדר ב-ISA-S71.04-1985

<b>וידאו</b>	
סוג וידאו	בקר VGA משולב ATI ES1000
זיכרון וידאו	זיכרון DDR II 32 MB (מינימום) – 64 MB (מקסימום)

<b>מתח</b>	
<b>ספק כוח ז"ח</b>	
הספק חשמלי בוואטים	PSU יתיר 400 ואט לדיסקים קשיחים התומכים בחיבור חם, וכן תצורת PSU יתירה (תצורה מרבית)
מתח חשמלי	50/60 Hz ,100–240 VAC
זרם נכנס מקסימלי	בתנאי קו רגילים ובטווח הפעלה בתנאי סביבה של המערכת כולה, ייתכן שהזרם הנכנס יגיע ל-25 A לכל ספק כוח למשך 10 מ"ש או פחות
סוללת מערכת	סוללת מטבע ליתום CR 2032 3.0-V

<b>מידות פיזיות</b>	
גובה	4.2 ס"מ
רוחב	42.6 ס"מ
<b>עומק</b>	
עם לוח כיסוי אופציונלי	69.3 ס"מ
ללא לוח כיסוי אופציונלי	66 ס"מ
משקל (תצורה מרבית בק"ג)	13.45 ק"ג

<b>דיסקים (המשך)</b>	
כונן CD/DVD	DVD אופציונלי אחד, או DVD/RW-CD משולב במפרץ כונן של התקן
כונן USB Flash	<b>הערה:</b> התקני DVD כוללים נתונים בלבד. כונן אופציונלי אחד המדמה כונן תקליטונים או דיסק קשיח

<b>מחברים</b>	
<b>נגישות חיצונית</b>	
<b>גב</b>	
מתאם רשת	שני RJ-45 (עבור מתאמי רשת משולבים של 1-Gigabit)
טורי	9 פינים
USB	שניים בעלי 4 פינים, תואמי USB 2.0
וידאו	VGA עם 15 פינים
<b>חזית</b>	
וידאו	VGA עם 15 פינים
USB	שניים בעלי 4 פינים, תואמי USB 2.0
<b>נגישות מבפנים</b>	
ערוצי SATA	שלושה מחברים בעלי 7 פינים
מפתח USB (עבור כרטיס זיכרון)	מחבר בעל 4 פינים, תואם USB 2.0

---

## אפיקי הרחבה

---

סוג אפיק PCIe, PCI-X

### חריצי הרחבה - שני כרטיסי riser card אופציונליים

#### Riser 1

חריץ PCIe בגובה מלא, חצי אורך, 8 מסלולים  
Riser card מרכזי עם PCIe  
כרטיס Riser שמאלי עם PCIe

#### Riser 2

חריץ PCI-X 133 MHz, 64 סיביות בגובה מלא, חצי אורך  
Riser card מרכזי עם PCIe  
חריץ PCIe בגובה מלא, חצי אורך, בעל 8 מסלולים

---

## זיכרון

---

עד ששה מודולי זיכרון רשומים DDR2 677 MHz  
ארכיטקטורה RDRAM עם ECC

ששה שקעים של מודולי זיכרון  
ששה שקעים בעלי 240 פינים  
קיבולת מודולי זיכרון  
זיכרון RAM מינימלי  
זיכרון RAM מקסימלי

4 GB, 2 GB, 1 GB, 512 MB  
512 MB (מודול של 512 MB)  
24 GB

---

## דיסקים

---

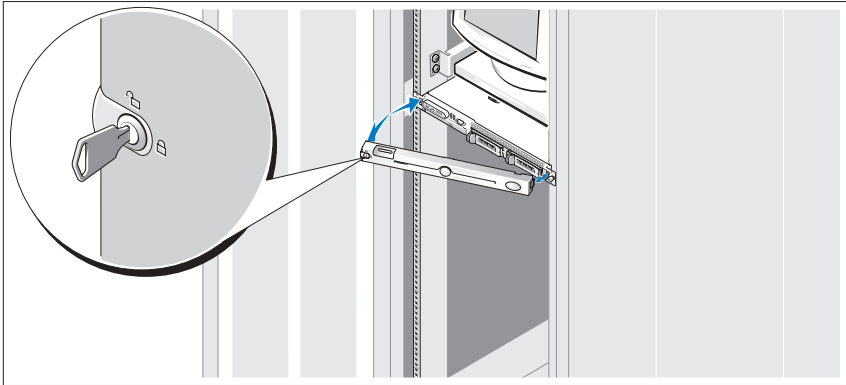
### דיסקים קשיחים

עד שני דיסקים פנימיים בגודל 3.5 אינץ'  
(אופציונלי לחיבור חם)  
SATA

עד שני דיסקים פנימיים בגודל 3.5 אינץ', עם כרטיס בקר  
SAS אופציונלי (אופציונלי לחיבור חם)  
SAS



## התקנת לוח הכיסוי



התקן את לוח הכיסוי (אופציונלי).

## השלמת הגדרת מערכת ההפעלה

אם רכשת מערכת הפעלה מותקנת מראש, עיין בתיעוד המצורף למערכת. כדי להתקין מערכת הפעלה בפעם הראשונה, עיין במדריך ההתקנה המדירה. ודא שמערכת ההפעלה מותקנת לפני שתתקין רכיבי חומרה ותוכנות שלא נרכשו עם המחשב.

## מפרטים טכניים

---

### מעבד

מעבד Intel® Celeron® 445 ליבה יחידה

סוג מעבד

לחילופין

Dual-Core Intel Core™2 Duo E6305

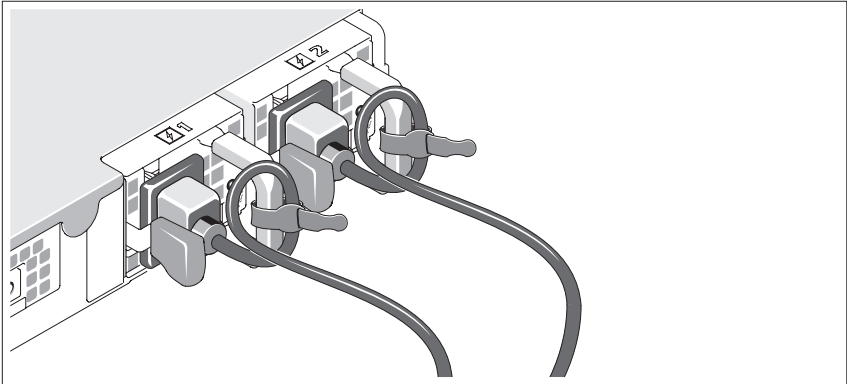
או מעבד סדרה E6405

לחילופין

מעבד טורי בעל ליבה מרובעת Intel Xeon® X3323,

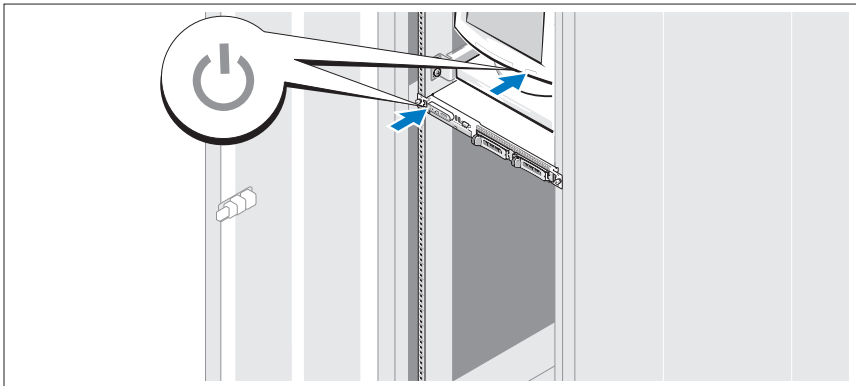
X3353 או X3363

## חיבור החשמל



חבר את כבלי החשמל של המערכת אל המערכת (מערכת יתירה מוצגת באיור). עבור מערכות יתירות, אבטח את הכבלים באמצעות שתי רצועות הצמדן שמצורפות למערכת, כפי שמוצג. עבור מערכות לא יתירות, חבר את הזוויתן לשמירה על כבל החשמל המצורף למערכת. חבר את הקצה השני של הכבל לשקע חשמלי מוארק או למקור מתח אחר, כגון מערכת אל-פסק (UPS) או ליחידת חלוקת מתח (PDU).

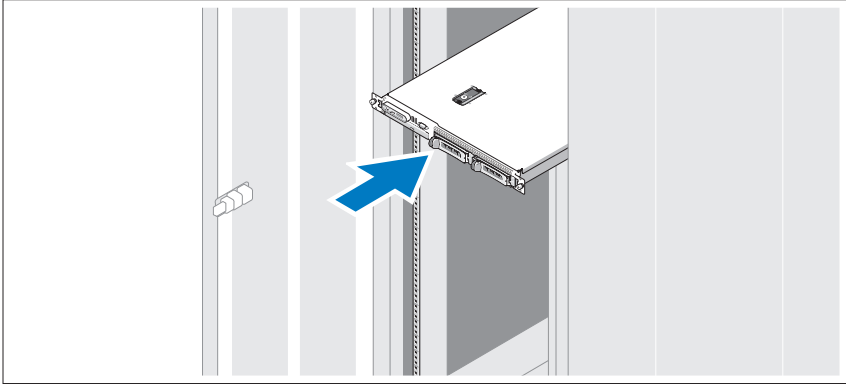
## הדלקת המערכת



הדלק את המערכת ואת הצג (אופציונלי).

לחץ על מתג ההפעלה במערכת ובצג. נורות המתח אמורות לדלוק. כוונן את בקרי הצג, עד שהתמונה המוצגת תהיה לשיעור רצונך.

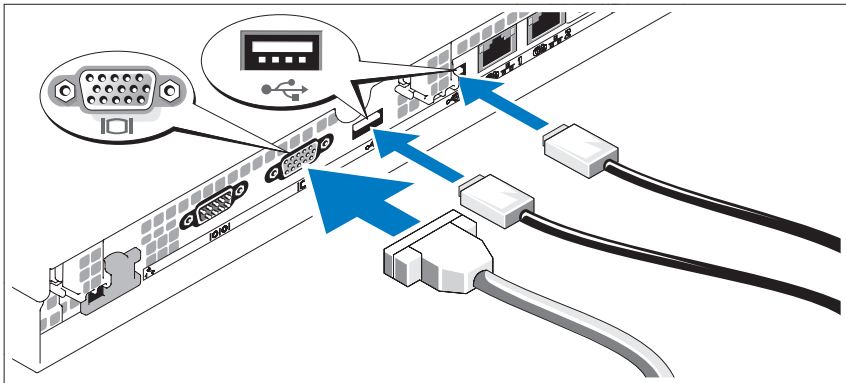
## התקנת המעמד ומערכת במעמד



התקן את המערכת במעמד לאחר שקראת את הוראות הבטיחות בתיעוד של התקנת המעמד המצורף למערכת.

לקבלת הוראות להתקנת המערכת במעמד, עיין בתיעוד ההתקנה המצורף למעמד. להנחיות בנושא השמל וקירור, ראה את כלי התכנון של קיבולת המעמד בכתובת [www.dell.com](http://www.dell.com).

## חיבור המקלדת, העכבר והצג



חבר את המקלדת, העכבר והצג (אופציונלי).

על המחברים בגב המערכת מופיעים סמלים שמציינים איזה כבל יש לחבר לכל מחבר. הקפד לחזק את הברגים (אם קיימים) במחבר הכבל של הצג.

- לעתים מצורפים למערכת עדכונים המתארים את השינויים שבוצעו במערכת, בתוכנות ו/או בתיעוד.

**הערה:** בדוק תמיד אם קיימים עדכונים חדשים בכתובת [support.dell.com](https://support.dell.com), והקפד לקרוא תחילה את העדכונים מאחר שלעתים קרובות יש להם קדימות על-פני מידע המתואר במסמכים אחרים.

- ייתכן שכלולים גם קובצי readme או הערות מוצר, כדי לספק עדכונים של הרגע האחרון למערכת או לתיעוד, או כדי לספק חומר עזר מתקדם בנושאים טכניים, המיועד למשתמשים מנוסים או לטכנאים.

## קבלת סיוע טכני

אם אינך מבין את ההליך המתואר במדריך זה, או אם המערכת אינה פועלת כצפוי, עיין במדריך החומרה למשתמש.

שירות ההדרכה וההסמכה הארגוני של Dell זמין ועומד לרשותך; לקבלת מידע נוסף, בקר בכתובת [www.dell.com/training](http://www.dell.com/training). ייתכן ששירות זה אינו זמין בכל האזורים.

## התקנה וקביעת תצורה


**⚠ הודעה:** לפני שתבצע את ההליך הבא, קרא את הוראות הבטיחות ואת מידע התקנות במדריך המידע על המוצר, ופעל על-פיהם.

**⚠ הודעה:** בכל פעם שעליך להרים את המערכת, בקש עזרה מאנשים אחרים. כדי למנוע אפשרות פגיעה, אל תנסה להרים את המערכת בעצמך. סעיף זה מתאר את השלבים להתקנת המערכת בפעם הראשונה.

## הוצאת המערכת מהאריזה

הוצא את המערכת וזהה את כל הפריטים. שמור את כל חומרי האריזה למקרה שתזדקק להם מאוחר יותר.

- Red Hat® Enterprise Linux® ES (גרסאות 4 ו-5) (x86\_32)
- Red Hat Enterprise Linux ES (גרסאות 4 ו-5) (x86\_64)
- SUSE® Linux Enterprise Server 9 (SP4 או מאוחרת יותר) (x86\_64)
- SUSE Linux Enterprise Server 10 (x86\_64)

**הערה:** לקבלת המידע העדכני ביותר בנושא מערכות הפעלה נתמכות, בקר בכתובת [www.dell.com](http://www.dell.com) 

## מידע נוסף שעשוי לסייע לך

-  **הודעה:** מדריך המידע על המוצר מספק מידע חשוב בנושא בטיחות ותקנות. ייתכן שמידע על האחריות כלול במסמך זה או במסמך נפרד.
- המדריך להתקנת המעמד או ההוראות להתקנת המעמד, הכלולים עם פתרון המעמד, מתארים כיצד להתקין את המערכת במעמד.
  - מדריך התחלת העבודה מספק סקירה כללית על תכונות המערכת, התקנת המערכת ומפרטים טכניים.
  - מדריך החומרה למשתמש מספק מידע על תכונות המערכת, ומתאר כיצד לפתור בעיות במערכת, ולהתקין או להחליף את רכיבי המערכת.
  - תקליטורים הנלווים למערכת מספקים תיעוד וכלים לקביעת תצורה של המערכת וניהולה.
  - התיעוד של התוכנה לניהול המערכת מתאר את התכונות, הדרישות, ההתקנה והפעולות הבסיסיות של התוכנה.
  - תיעוד מערכת ההפעלה מתאר כיצד להתקין (במקרה הצורך), לקבוע תצורה ולהשתמש בתוכנת מערכת ההפעלה.
  - תיעוד לגבי רכיבים אחרים שרכשת בנפרד מספק מידע על קביעת התצורה וההתקנה של רכיבים אופציונליים אלה.

- מחברי הלווח הקדמי כוללים מחבר וידאו ושני מחברי USB.
  - מחבר USB פנימי כלול עבור כרטיס זיכרון ניתן לאתחול.
  - צג LCD 1x5 בלווח הקדמי להצגת מזהה מערכת והודעות שגיאה.
- לקבלת מידע נוסף על תכונות ספציפיות, ראה "מפרטים טכניים" בעמוד 132.
- התוכנות הבאות כלולות במערכת:

- תוכנית System Setup (הגדרת מערכת) להצגה ושינוי של פרטי תצורת המערכת. למידע נוסף, ראה "Using the System Setup Program" (שימוש בתוכנית Setup System) במדריך החומרה למשתמש.
  - תכונות אבטחה משופרות, כולל סיסמת מערכת וסיסמת הגדרות, הזמינות באמצעות התוכנית System Setup.
  - מנהלי התקני וידאו להצגת תוכניות ברזולוציה גבוהה.
- תוכנה לניהול המערכת ותקליטורי תיעוד.

## מערכות הפעלה נתמכות


- Microsoft Windows Server<sup>®</sup> 2008 Standard, Web, ו-Enterprise (32 סיביות x86) (אם זמין)
- Microsoft Windows Server 2008 Standard, Web, ו-Enterprise (64 סיביות x64) (אם זמין)
- Microsoft Windows Server 2003 Standard, Web, ו-Enterprise (32 סיביות x86) (SP1 ו-SP2)
- Microsoft Windows Server 2003 Standard, ו-Enterprise (64 סיביות x64)
- Microsoft Windows Server 2003 R2 Standard, ו-Enterprise (32 סיביות x86) (SP1 ו-Standard)
- Microsoft Windows Server 2003 R2 Standard, ו-Enterprise (64 סיביות x64)

- בקר גישה מרחוק אופציונלי עבור ניהול מערכות רחוקות, המותקן בחריץ הייעודי בלוח המערכת.
- כונן USB Flash אופציונלי המדמה כונן דיסקטים או כונן קשיח.
- ספק כוח התומך באספקת זרם של W400 (אספקת חשמל יתירה אופציונלית קיימת).
- מתאמי רשת משולבים מסוג Gigabit Ethernet, התומכים בקצב נתונים של 10 Mbps, 100 Mbps או 1000 Mbps עם תמיכה ב-Wake-on-LAN.
- כרטיס בקר גישה מרחוק של Dell (DRAC5), המספק ניהול מערכת מרחוק, שיקום מערכת שנפלה, ופונקציות בקרת כוח עבור Dell PowerEdge.
- מערכת משנה של וידאו תואם VGA עם בקר וידאו ATI ES1000, 33 MHz PCI, מערכת המשנה של הווידאו כוללת מינימום של זיכרון גרפי בנפח 32MB עם תמיכה בגרפיקה דו-ממדית. הרזולוציה המרבית היא 1600 x 1200 עם 65,536 צבעים; גרפיקה בצבע אמיתי נתמכת ברזולוציות הבאות: 800 x 600, 640 x 480, 1024 x 768, 1024 x 1280. כשכרטיס הגישה מרחוק האופציונלי מותקן, רזולוציית הווידאו המרבית היא 1024 x 1280.
- מודולי מאווררים, שכל אחד מהם מורכב משני מאווררים בעלי רוטור כפול, ממוקמים בחזית המעבד והזיכרון.
- מודולי מאווררים, המורכבים משני מאווררים בעלי רוטור כפול, ממוקמים בחזית ה-PSU. מאווררים אלה משמשים לשני ה-PSU היתירים (דיסקים קשיחים התומכים בחיבור חם ותצורת PSU יתירה).
- מחבר טורי לתמיכת הכוונה מחדש של קונסולה.
- תכונות אבטחה, כולל זיהוי פגיעה בתושבת ונעילת מקשים בלוח הכיסוי האופציונלי.
- מודול פלטפורמה מהימנה (TPM) משולב, גרסה 1.2, משמש ליישומי אבטחה, ומסוגל ליצור ולאחסן מפתחות ולאחסן סיסמאות ואישורים דיגיטליים. (לא זמין בסין).
- תוכנה/מעגל חשמלי לניהול מערכת, המפקח על נתונים קריטיים של המערכת, כגון וולטאג' וטמפרטורות.
- מחברי הלוח האחורי כוללים חיבור וידאו, חיבור טורי, שני USB ושני מחברי מתאם רשת.

## תכונות המערכת

תכונות החומרה והתוכנה המרכזיות של המערכת כוללות:

- תושבת S1/UI1 המאפשרת חיבור למעמד עם תמיכה למסילות נייחות ולמסילות הזזה.




 **הערה:** השתמש בתוכנית System Setup (הגדרת המערכת) כדי להציג את פרטי המעבד. ראה "Using the System Setup Program" (שימוש בתוכנית System Setup) במדריך החומרה למשתמש.

- אחד מהמעבדים הבאים:

- מעבד ליבה בודדת Intel® Celeron® 445
- מעבד ליבה כפולה מסדרה Intel Core™2 Duo E6305 או מעבד מסדרה E6405
- מעבד X3323, Intel Xeon® X3353, או X3363 בעל ליבה מרובעת
- מודולי זיכרון DDR2 רשומים בנפח 512 MB ובמהירות 667 MHz עם ECC, הניתנים לשדרוג לנפח מרבי של זיכרון 24 GB על-ידי התקנת שילוב של מודולי זיכרון בנפח 1 GB, 2 GB, או 4 GB בששה שקעים של מודולי זיכרון בלוח המערכת, בשורה אחת או שתיים.
- אחת מהאפשרויות הבאות של riser card:
  - שני Riser Card (בצד שמאל ובמרכז), שכל אחד מהם מספק חריץ הרחבה מסוג PCI-Express ברוחב 8 מסלולים.
  - לחילופין
  - כרטיס Riser Card אחד (במרכז), המספק חריץ הרחבה מסוג PCI-Express ברוחב 8 מסלולים.
  - כרטיס Riser Card (בצד שמאל), המספק חריץ הרחבה מסוג PCI-X, 3.3 V, 64 סיביות, 133 MHz.
- DVD אחד של 12.7 מ"מ, או CD-RW/DVD משולב במפרץ כונן של התקן.
- תמיכה בתצורות הבאות של דיסק קשיח פנימי:
  - עד שני דיסקים קשיחים פנימיים מסוג SATA, בגודל 5 אינץ', עם כרטיס בקר SAS אופציונלי (אופצית חיבור חם זמינה).
  - עד שני דיסקים קשיחים מסוג Attached-Serial פנימיים, בגודל 3.5 אינץ', עם כרטיס בקר SAS אופציונלי (אופצית חיבור חם זמינה).



## הערות, הודעות והתראות

-  **הערה:** עצה מציינת מידע חשוב שיסייע לך לנצל את המחשב בצורה טובה יותר.
-  **הודעה:** הערה מציינת אפשרות של נזק לחומרה או אובדן נתונים, ומסבירה כיצד להימנע מהבעיה.
-  **התראה:** אזהרה מציינת אפשרות של נזק לרכוש, פגיעה גופנית או מוות.

---

המידע הכלול במסמך זה נתון לשינויים ללא הודעה מוקדמת.  
© 2007 Dell Inc. כל הזכויות שמורות.

חל איסור על שעתוק מסמך זה, בכל דרך שהיא, ללא קבלת רשות בכתב מאת Dell Inc.

סימנים מסחריים המשמשים בטקסט זה: Dell, הלוגו של Dell, ו-PowerEdge הם סימנים מסחריים של Dell Inc.; Intel, Pentium, Celeron ו-Xeon הם סימנים מסחריים ו-Core הוא סימן מסחרי של Intel Corporation בארה"ב. ובמדינות אחרות; Windows, Microsoft Windows Server ו-Windows הם סימנים מסחריים רשומים של Microsoft Corporation בארה"ב ו/או מדינות אחרות; Red Hat ו-Enterprise Linux הם סימנים מסחריים רשומים של Red Hat Inc.; SUSE הוא סימן מסחרי רשום של Novell Inc.

סימנים מסחריים ושמות מסחריים אחרים המוזכרים במסמך זה מתייחסים לגורמים הטוענים לבעלות על הסימנים ועל השמות, או על המוצרים של גורמים אלה. Dell Inc. מתנעת מכל עניין קנייני בסימנים מסחריים ובשמות מסחריים, למעט הסימנים והשמות שלה עצמה.

דגם: SMT

מהדורה A00

מספר חלק HR210

דצמבר 2007

מערכות Dell™  
PowerEdge™ R300

תחילת העבודה  
עם המערכת

